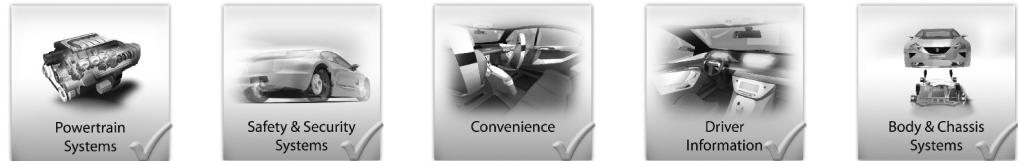


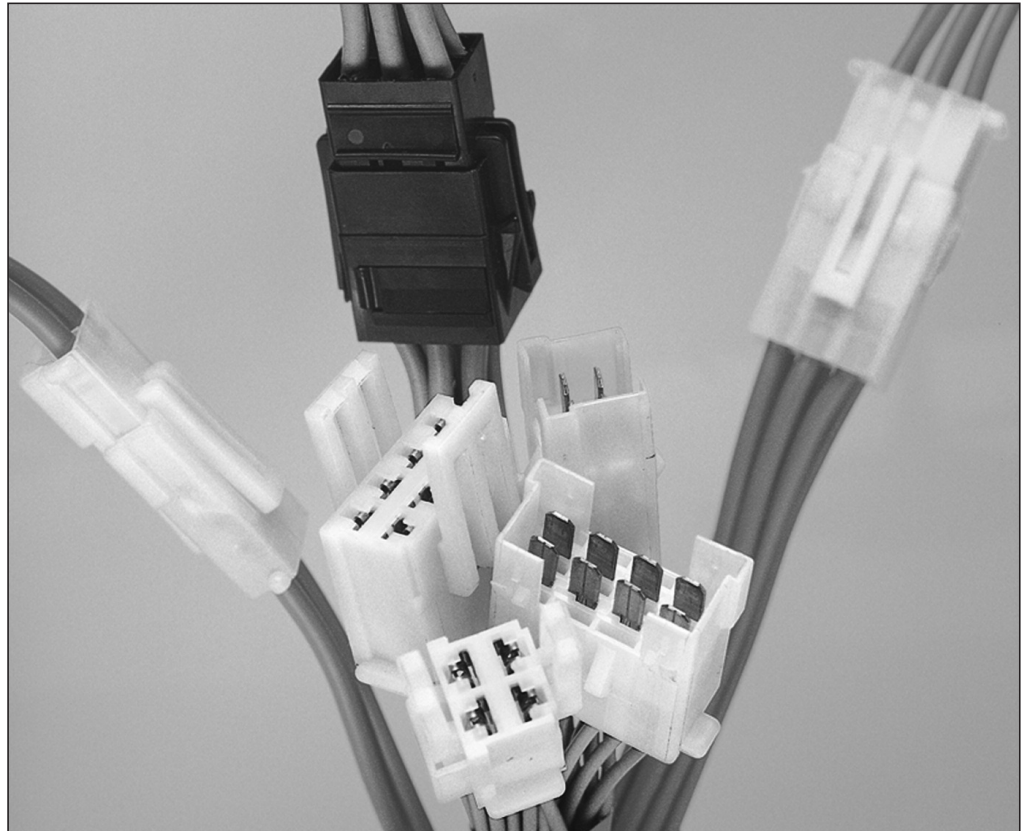
Introduction



High Current Flow with Low Insertion Force

Product Features

- All Positive Mate housings include a secondary contact retention feature
- Polarization is provided
- Rounded corners on housings prevent injuries while connection the housings
- Wire size range of AWG 20 to AWG 10 allows high current capacity of up to 30 ampere per contact
- Application tooling, ranging from hand tools to fully-automatic machines is available



In an effort to overcome the problems arising from the careless mating of connectors during assembly, the Positive Mate connector is designed so that a condition of partial engagement is impossible.

The moulded connector housings incorporate an integral latching device, called the „Go-NoGo“ principle.

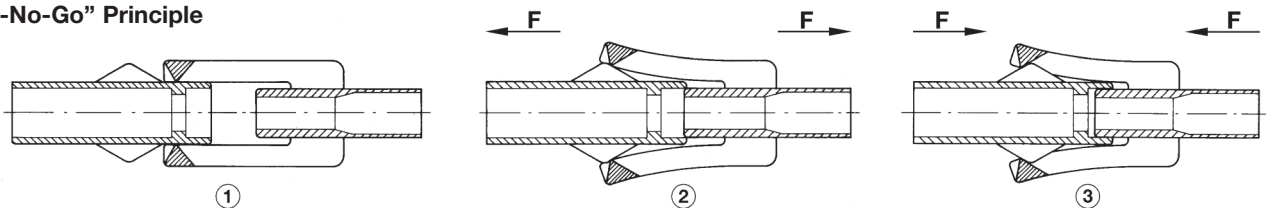
This latching device utilises the spring characteristics of the nylon material to provide a positively mated connection – or no connection at all.

If the spring latch is not locked when assembled, the two connector housings will fail to mate. Consequently, the contacts are disengaged and an open circuit exists.

Due to the insertion force required for the „Go-No-Go“ function, the max. no of pos. is limited to 10 per housing.

The box-type contact has a special construction with an internal double-spring which mates with the tab. This allows a high current flow with simultaneous low insertion force and constant closed linkage between the contacts.

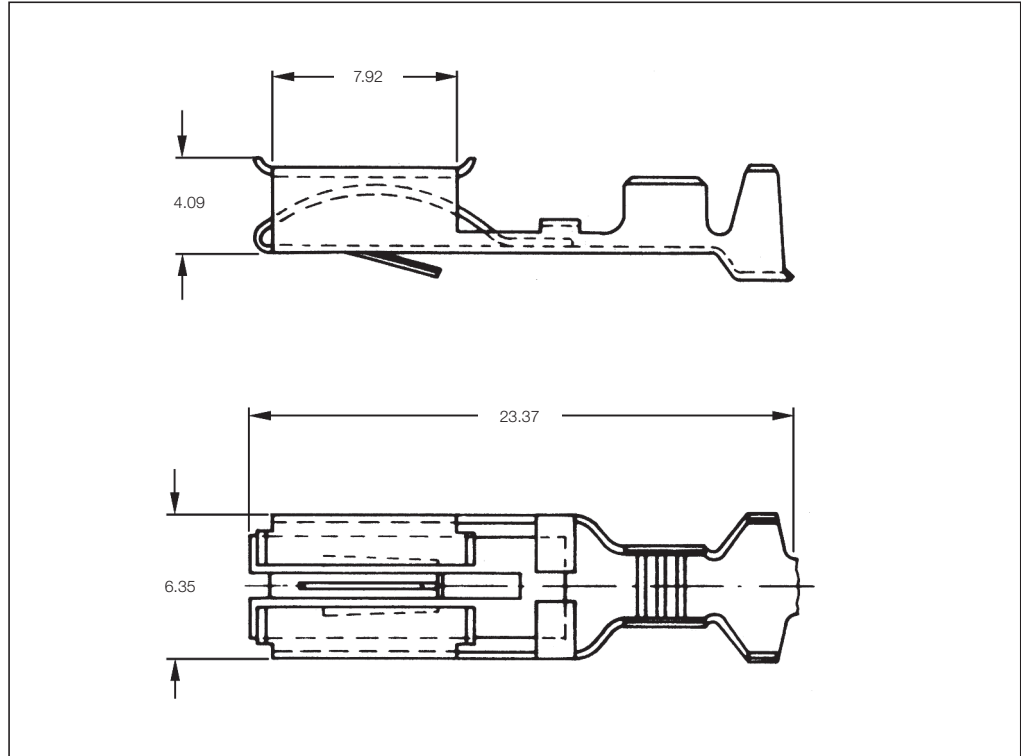
“Go-No-Go” Principle



- ① The receptacle housing possesses two locking lances,
- ② which are pushed apart when slid over the ramps of the tab housing. The elastic properties of polyamide material allow the locking lances to return to their starting positions. Force F is the result, which tries to separate the housing again.
- ③ Once the locking lance is over the top of the ramp force F changes direction, pulling the housing halves together.

Receptacle Contacts

**Receptacle Contacts,
Mates with Positive Mate
Tab Contacts**



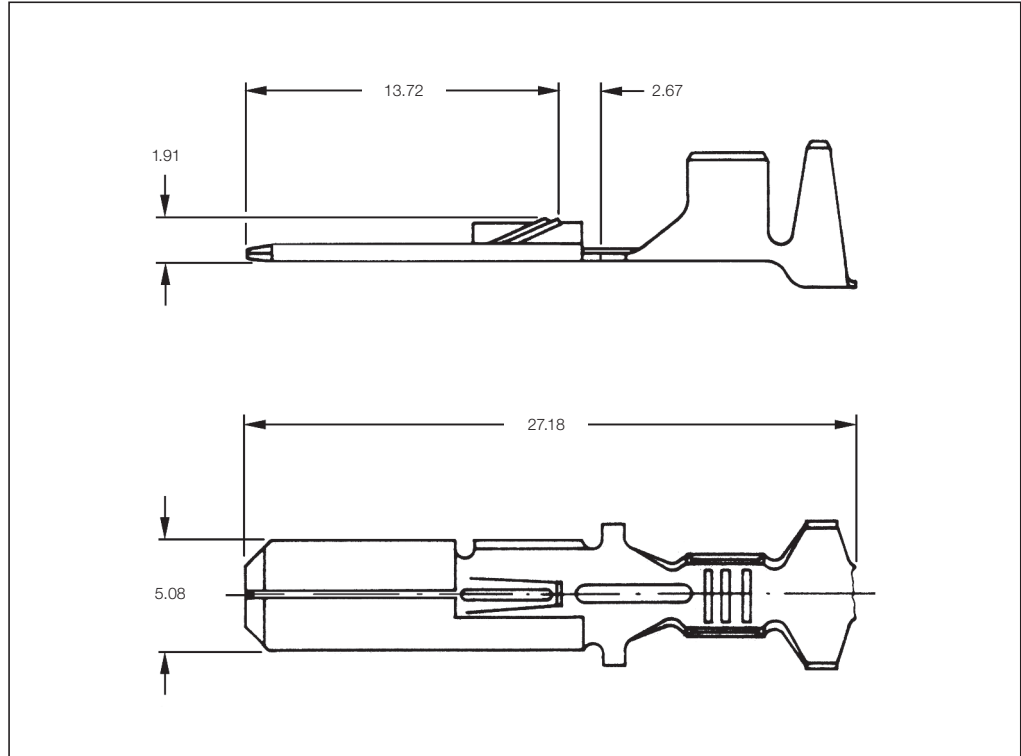
Receptacle Contacts

Wire Size Range	Insulation Diameter		Material and Finish	Part Numbers				Applicator ♦	Hand Tool
	FLK	FLR		Strip Form	Package Quantity	Loose-Piece	Package Quantity		
mm ² (AWG)	mm (Inch)	mm (Inch)							
0.5–1.5 (20–15)	1.5–2.5 (.059–.098)	–	CuZn, pre-tin plated	342642-2	2,500	342872-2	500	x-1528454-x	On Request
0.65–2.00 (20–14)	2.3–3.2 (.091–.126)	–	CuZn, pre-tin plated	342413-2	2,500	342873-2	500	On request	x-47995-x
			CuSn, pre-tin plated	342413-4	2,500	342873-4	–		
3.0–5.3 (12–10)	3.3–4.8 (.130–.189)	–	CuZn, pre-tin plated	342414-2	2,000	–	–	On request	–
			CuSn, pre-tin plated	342414-4	2,000	–	–		

♦) Applicators are application specific, consult TE Connectivity for details.
For plain contacts please contact TE Connectivity.

Tab Contacts

**Tab Contacts,
Mates with Positive Mate
Receptacle Contacts**



Tab Contacts

Wire Size Range	Insulation Diameter		Material and Finish	Part Numbers				Applicator ♦	Hand Tool
	FLK	FLR		Strip Form	Package Quantity	Loose-Piece	Package Quantity		
mm ² (AWG)	mm (Inch)	mm (Inch)							
0.5–1.5 (20–15)	1.5–2.5 (.059–.098)	–	CuZn, pre-tin plated	342868-2	3,000	–	–	x-1528791-x	–
0.65–2.00 (20–14)	2.5–3.2 (.098–.126)	–	CuZn, pre-tin plated	153301-2	3,000	341209-2	500	On request	x-525651-x
1.0–2.5 (17–13)	2.6–3.6 (.102–.142)	–	CuZn, pre-tin plated	341367-2	2,500	–	–	On request	–
3.0–5.3 (12–10)	3.3–4.8 (.130–.189)	–	CuZn, pre-tin plated	153303-2	2,000	–	–	x-1528790-x	–

♦) Applicators are application specific, consult TE Connectivity for details.
For plain contacts please contact TE Connectivity.

Receptacle Housings

Technical Features

No. of Positions:

2 Positions

Housing Material:

PA66

Wire Size Range:

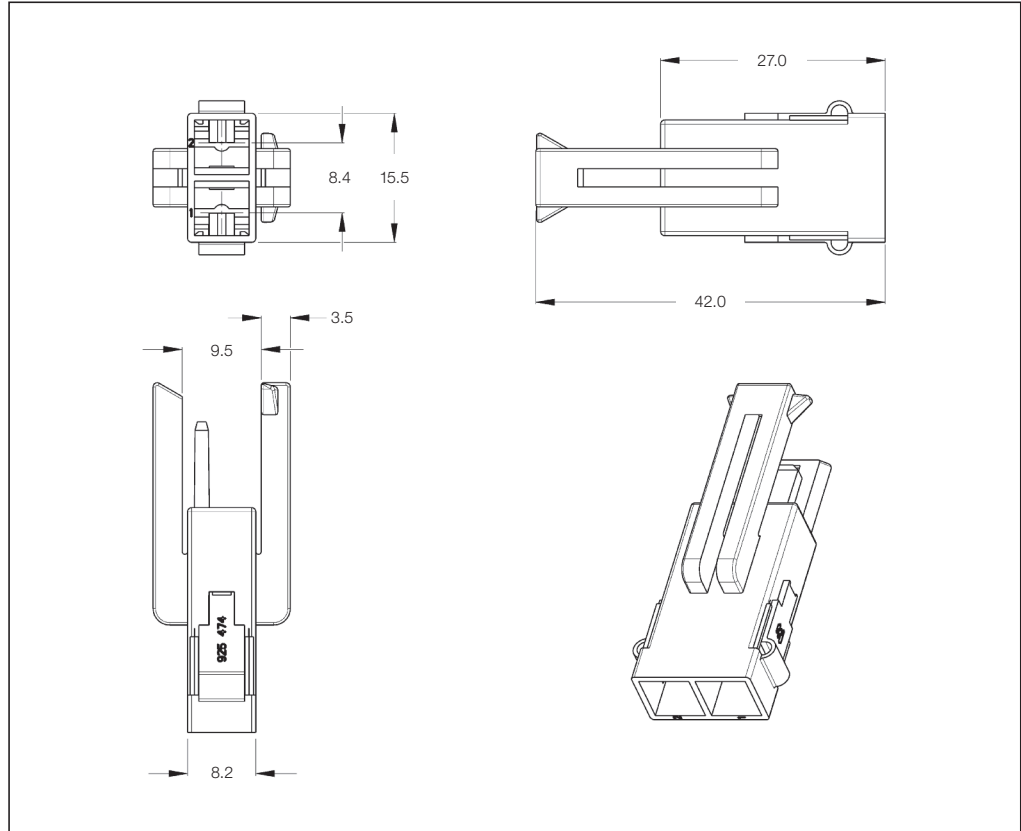
0.5–5.3 mm²

Product Specification:

—

Application Specification:

—



2 Position Positive Mate Housing

No. of Positions	Housing Color	Receptacle Housing	Package Quantity	Mating Tab Housing
2	Black	925474-1	—	925473-1
	Red	925474-2		925473-2
	Natural	925474-3		925473-3
	White	925474-4		—

Receptacle Housings

Technical Features

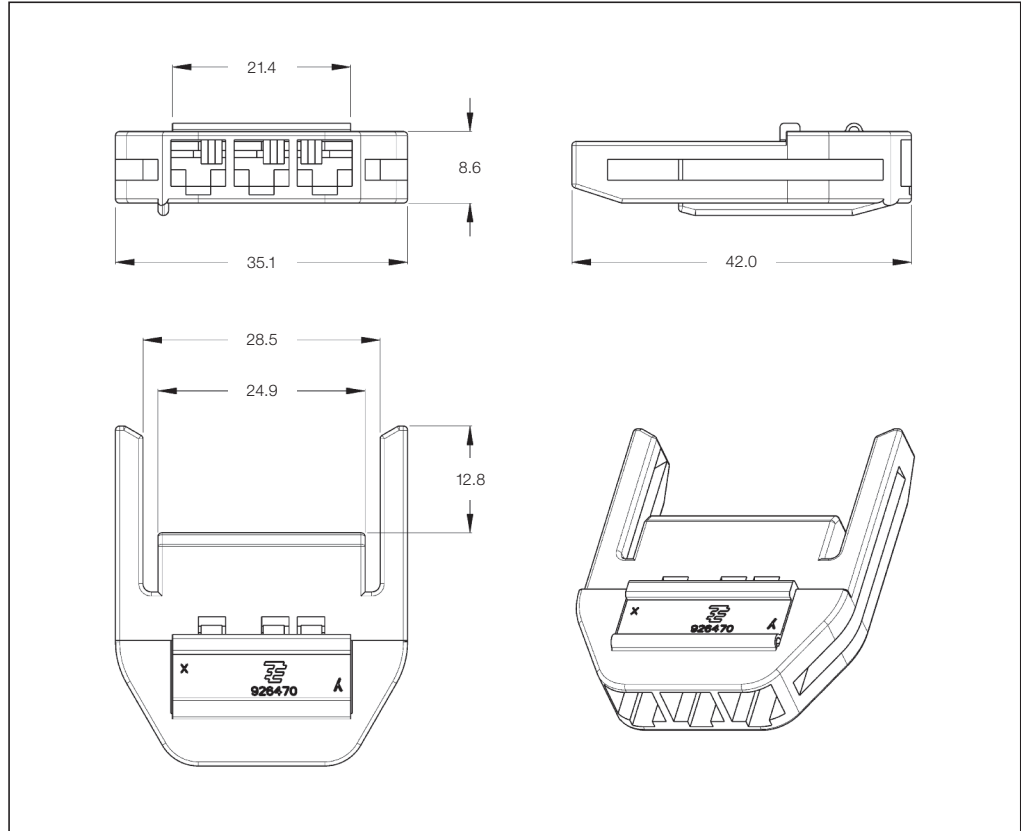
No. of Positions:
3 Positions, Hinged

Housing Material:
PA66

Wire Size Range:
0.5–5.3 mm²

Product Specification:
—

Application Specification:
—



3 Position Positive Mate Housing, Hinged

No. of Positions	Housing Color	Receptacle Housing	Package Quantity	Mating Tab Housing
3	Black	926470-1	—	—

Receptacle Housings

Technical Features

No. of Positions:

4 Positions

Housing Material:

PA66

Wire Size Range:

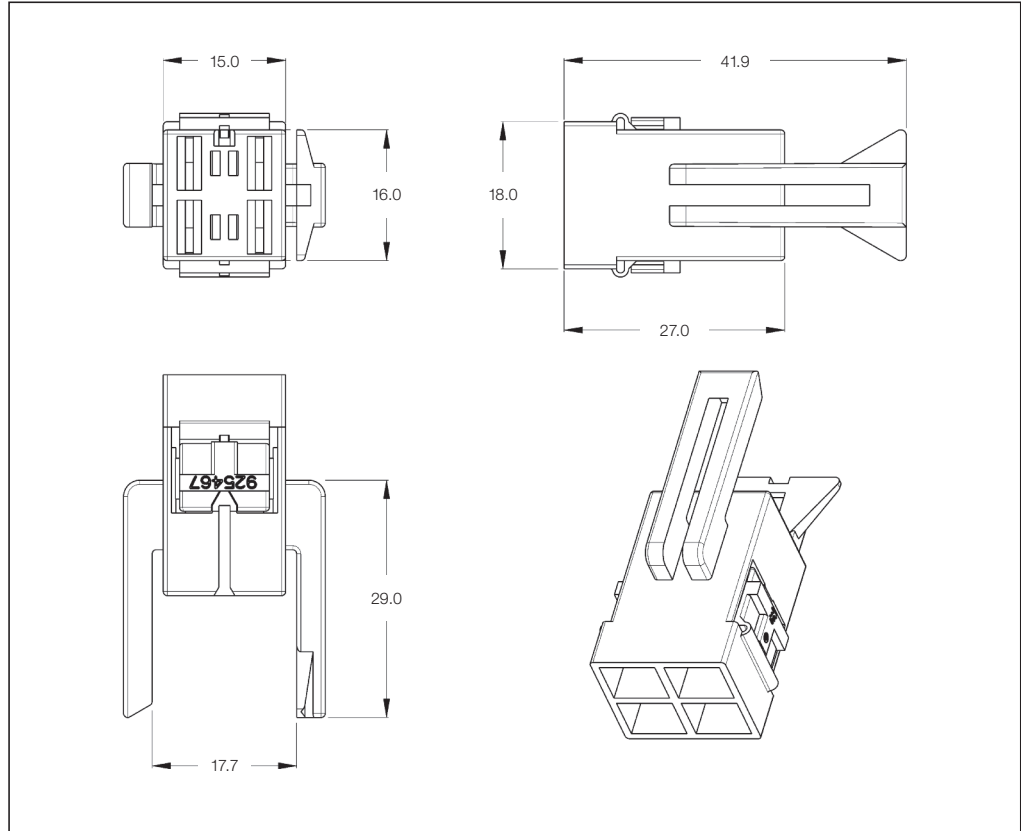
0.5–5.3 mm²

Product Specification:

—

Application Specification:

—



4 Position Positive Mate Housing

No. of Positions	Housing Color	Receptacle Housing	Package Quantity	Mating Tab Housing
	Black	925467-1		925468-1
	Red	925467-2		925468-2
	Natural	925467-3	—	925468-3
	Yellow	925467-4		925468-4
	Blue	925467-5		925468-5

Receptacle Housings

Technical Features

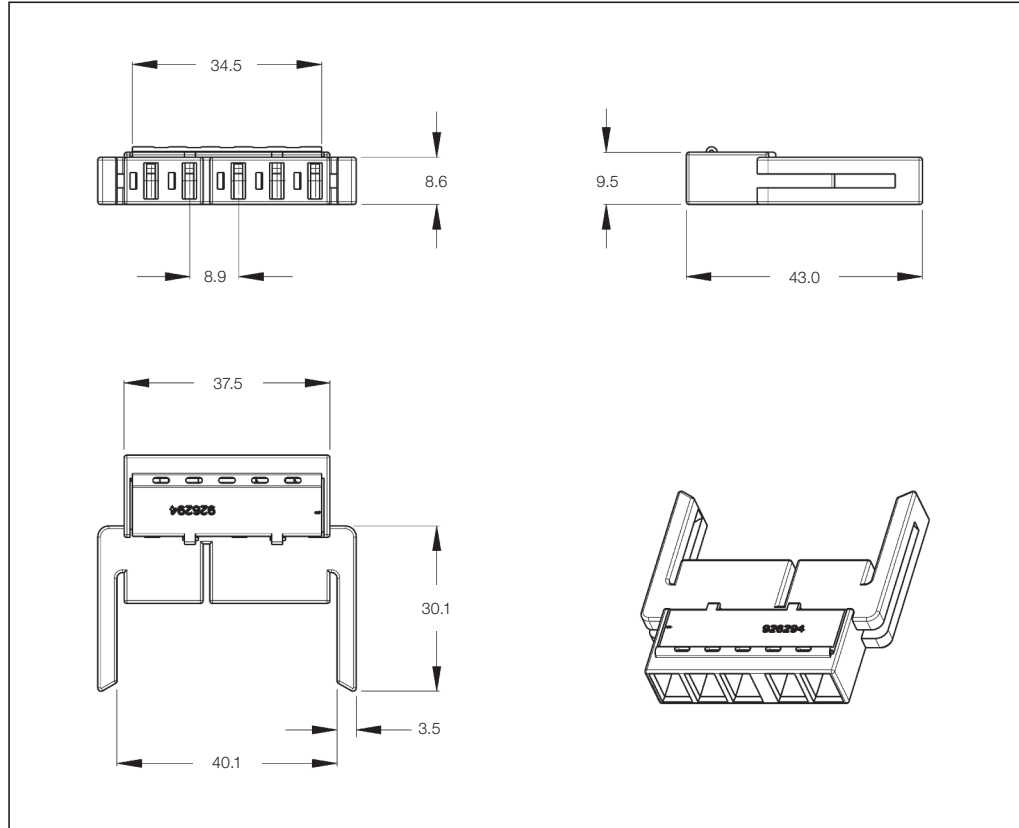
No. of Positions:
5 Positions, Hinged

Housing Material:
PA66

Wire Size Range:
0.5–5.3 mm²

Product Specification:
—

Application Specification:
—



5 Position Positive Mate Housing

No. of Positions	Housing Color	Receptacle Housing	Package Quantity	Mating Tab Housing
5	Black	926294-1	—	926551-1

Receptacle Housings

Technical Features

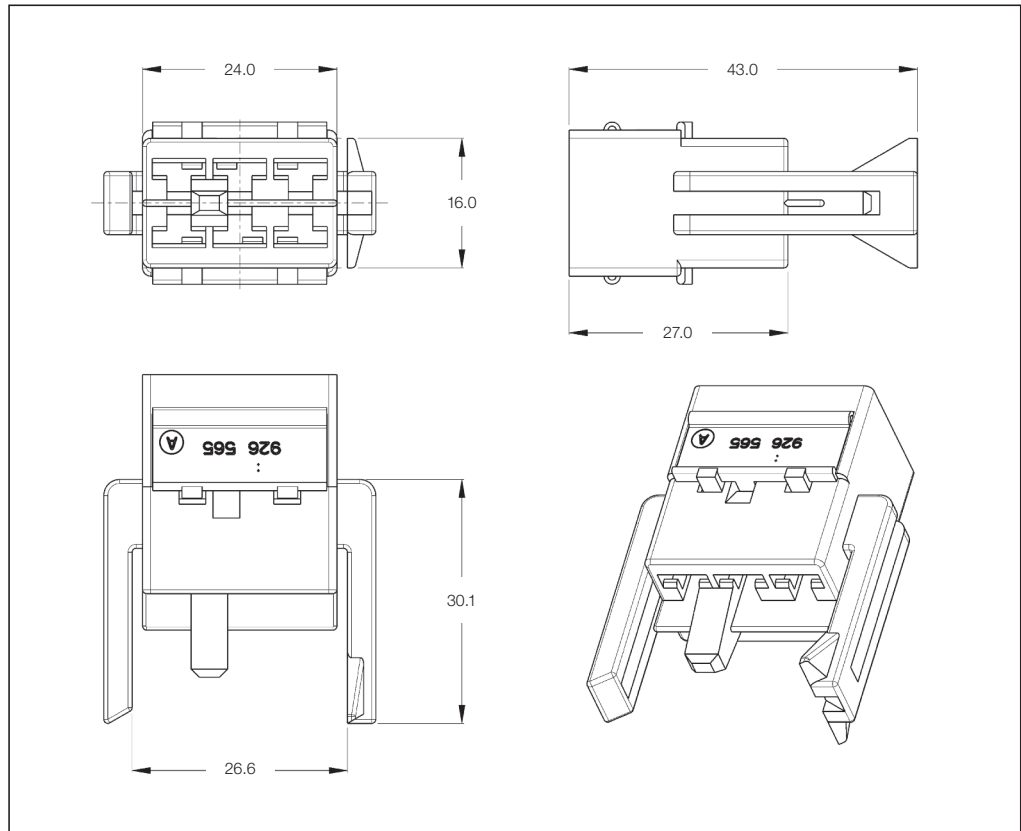
No. of Positions:
6 Positions, Hinged

Housing Material:
PA66

Wire Size Range:
0.5–5.3 mm²

Product Specification:
—

Application Specification:
—



6 Position Positive Mate Housing, Hinged

No. of Positions	Housing Color	Receptacle Housing	Package Quantity	Mating Tab Housing
6	Black	926565-1	—	—

Receptacle Housings

Technical Features

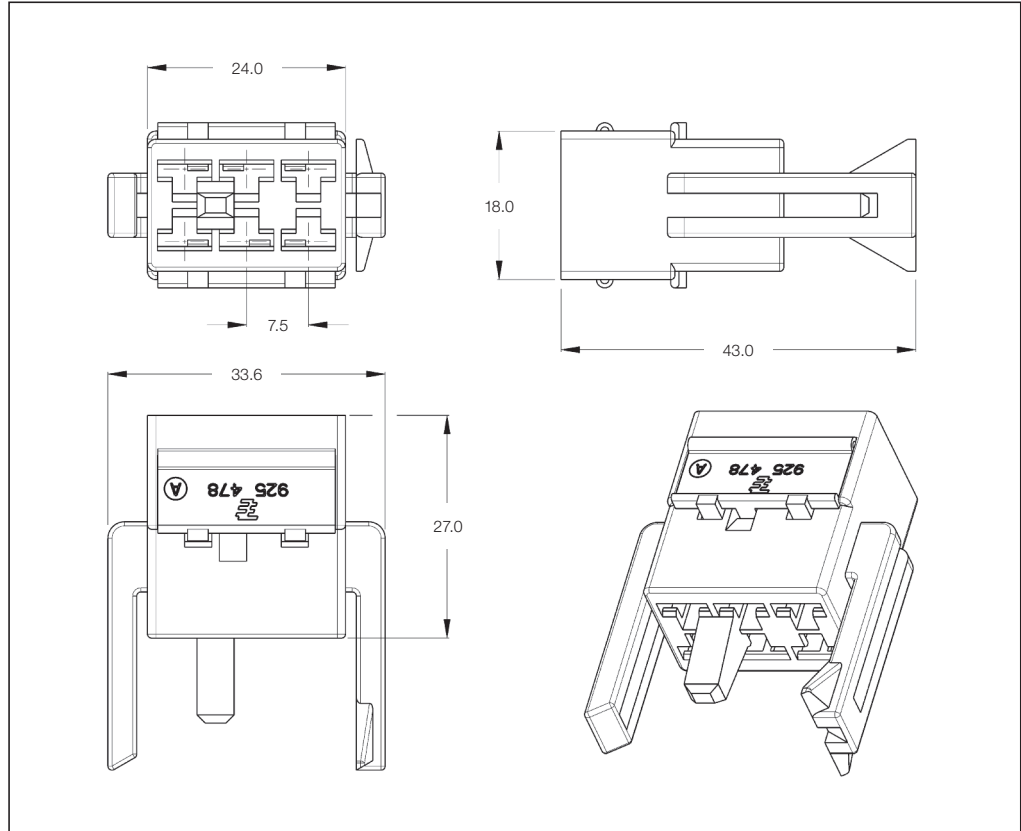
No. of Positions:
6 Positions, Hinged

Housing Material:
PA66

Wire Size Range:
0.5–5.3 mm²

Product Specification:
—

Application Specification:
—



6 Position Positive Mate Housing, Hinged

No. of Positions	Housing Color	Receptacle Housing	Package Quantity	Mating Tab Housing
6	Black	925478-1	—	925477-1
	Red	925478-2		925477-2
	Natural	925478-3		925477-3
	Yellow	925478-4		925477-4

Tab Housings

Technical Features

No. of Positions:

2 Positions

Housing Material:

PA66

Wire Size Range:

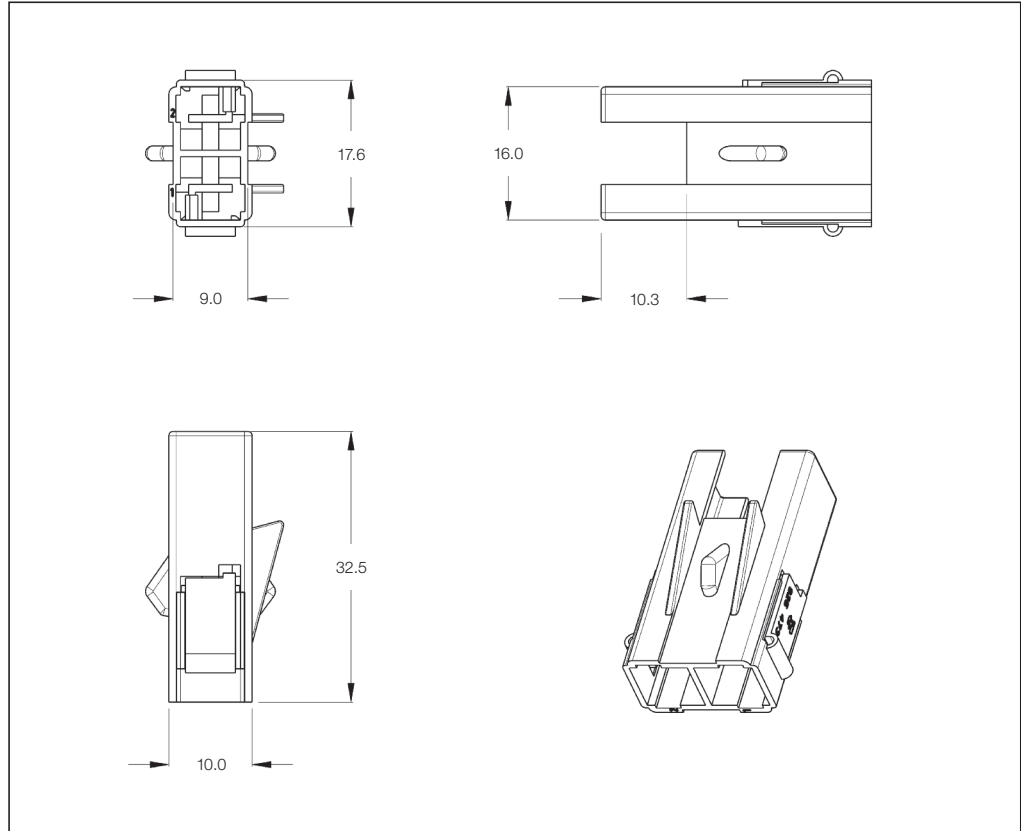
0.5–5.3 mm²

Product Specification:

—

Application Specification:

—



2 Position Positive Mate Housing

No. of Positions	Housing Color	Tab Housing	Package Quantity	Mating Receptacle Housing
2	Black	925473-1	—	925474-1
	Red	925473-2		925474-2
	Natural	925473-3		925474-3

Tab Housings

Technical Features

No. of Positions:

4 Positions

Housing Material:

PA66

Wire Size Range:

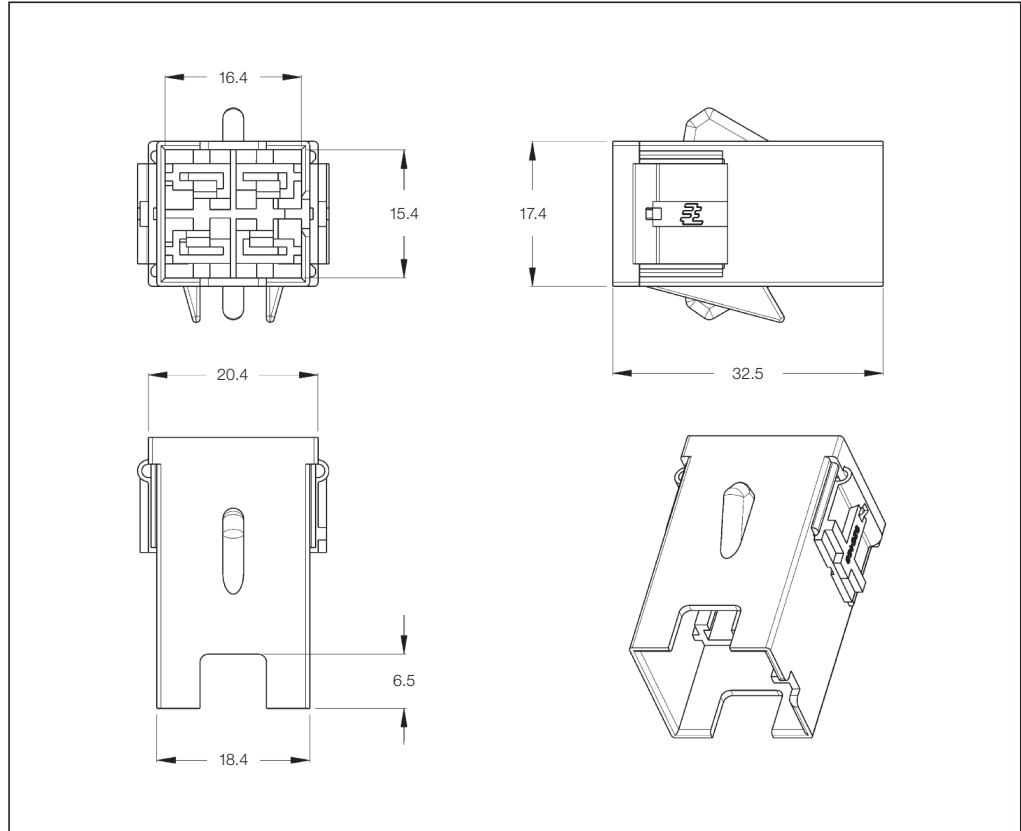
0.5–5.3 mm²

Product Specification:

—

Application Specification:

—



4 Position Positive Mate Housing

No. of Positions	Housing Color	Tab Housing	Package Quantity	Mating Receptacle Housing
4	Black	925468-1	—	925467-1
	Red	925468-2		925467-2
	Natural	925468-3		925467-3
	Yellow	925468-4		925467-4
	Blue	925468-5		925467-5

Tab Housings

Technical Features

No. of Positions:

5 Positions

Housing Material:

PA66

Wire Size Range:

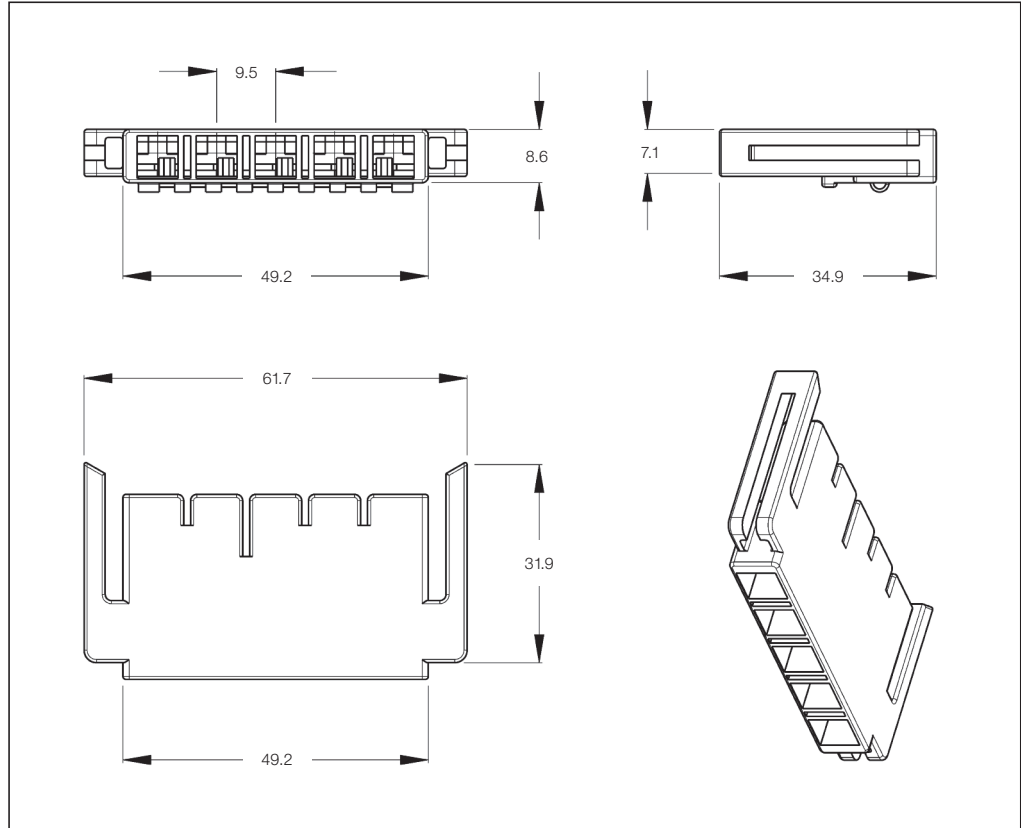
0.5–5.3 mm²

Product Specification:

—

Application Specification:

—



5 Position Positive Mate Housing

No. of Positions	Housing Color	Tab Housing	Package Quantity	Mating Receptacle Housing
5	Black	926551-1	—	926294-1

Tab Housings

Technical Features

No. of Positions:

6 Positions

Housing Material:

PA66

Wire Size Range:

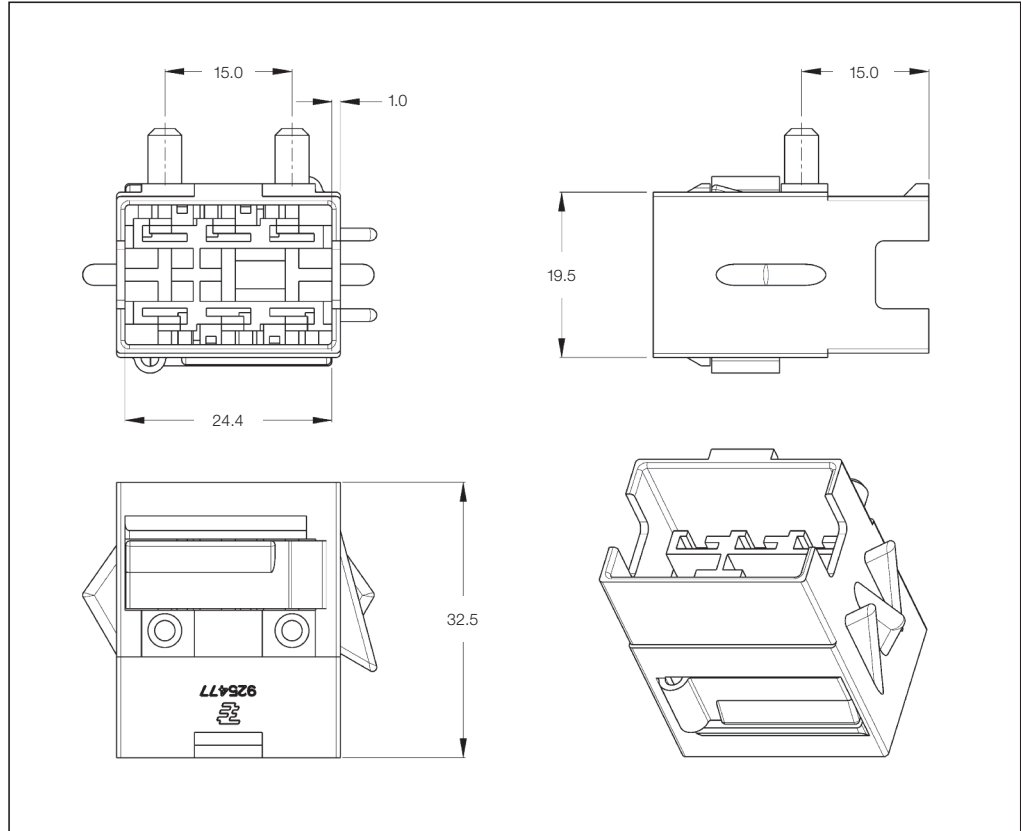
0.5–5.3 mm²

Product Specification:

—

Application Specification:

—



6 Position Positive Mate Housing

No. of Positions	Housing Color	Tab Housing	Package Quantity	Mating Receptacle Housing
6	Black	925477-1	—	925478-1
	Red	925477-2		925478-2
	Natural	925477-3		925478-3
	Yellow	925477-4		925478-4

Engineering Notes

A large grid area for engineering notes, consisting of a uniform grid of small squares. The grid is empty and occupies the majority of the page's vertical space.