



FACT SHEET

EVC 135 - Electric Vehicle Contactor

Hermetically sealed and intrinsically safe, TE Connectivity electric vehicle contactors provide fast and reliable switching of the high voltage battery to the vehicle system in hybrid and electric vehicles. The electric vehicle contactor 135 offers 450VDC and 135A continuous current carrying capabilities in a compact package.

Evolved from fighter jet technology, electric vehicle contactors reliably provide current switching capability in harsh and explosive operating environments with no oxidation or contamination of contacts during long periods of non-operation.

This compact solution is designed with 8kV of isolation between open contacts to increase battery system robustness. Configurable mounting orientation and custom connections allow customers to meet their packaging needs.



EVC 135 450VDC, 135A Contactor



RoHS compliant

KEY FEATURES

- Mechanical life 1 million cycles
- Not position sensitive, can be mounted in any orientation
- Hermetically sealed
- 8kV of isolation between open contacts
- 135 Amp continuous current rating
- Voltage rating 450VDC (max. 900VDC, consult factory for details)
- 1250A maximum short circuit current
- Available in side mount or bottom mount configuration
- Customized connections available
- Quiet operation
- Qualified for automotive use

TE SUPPORT CENTER

Canada:	+1.905.470.4425
C. America:	+52.0.55.1106.0814
China:	+86.0.400.820.6015
France:	+33.0.1.3420.8686
Germany:	+49.0.6251.133.1999
Great Britain:	+44.0.8706.080208
India:	+91.80.285.40800
Japan:	+81.44.844.8111
Korea:	+82.2.3415.4500
Mexico:	+52.0.55.1106.0814
Netherlands:	+31.0.73.6246.999
South America:	+55.0.11.2103.6000
USA:	+1.800.522.6752

Tyco Electronics AMP GmbH certified
acc. ISO 14001 and ISO/TS 16949:2002

© 2013 Tyco Electronics AMP GmbH
1308005-0 Issued 09.2013

TE Connectivity (logo) and TE Connectivity are trademarks of the TE Connectivity group of companies and its licensors. Other logos, product or company names mentioned herein may be trademarks of their respective owners.

APPLICATIONS

- Main power relay for hybrid electric vehicles
- Accessory relays for high voltage system
- High speed pre-charging

MECHANICAL

- Compact epoxy-sealed resin enclosure occupies about 65.5cm³ volume
- Robust mounting plate with side or bottom mounting option for M4 screws
- Inert gas filled contact chamber
- Flying leads for coil connections
- Load terminals threaded for M5 bolts
- Mechanical life: 1 million cycles

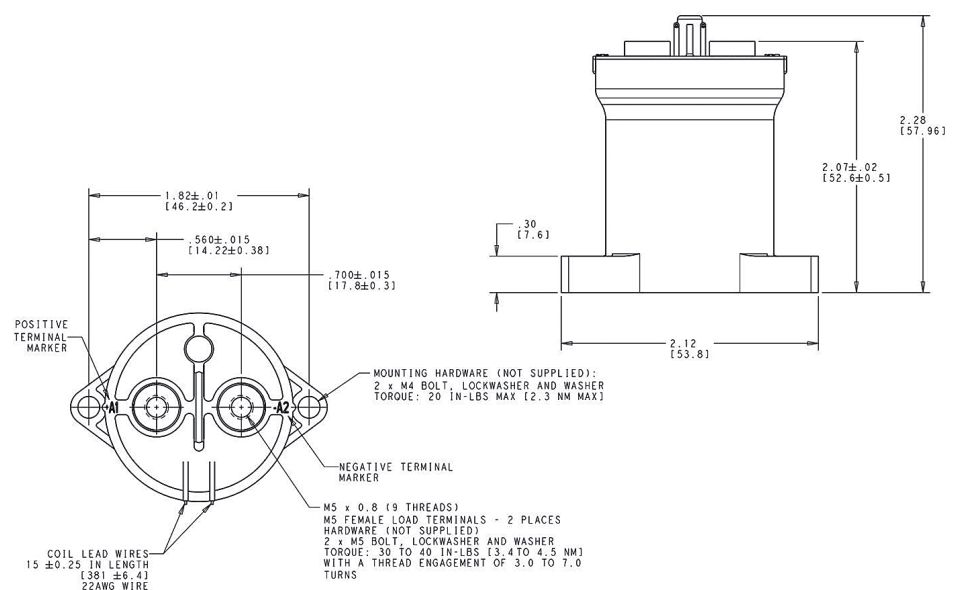
ELECTRICAL

- Contactor arrangement: Main contacts SPST-NO-DM (1 form X)
- Voltage rating: 450VDC
- Continuous current rating: 135A
- Short term current rating (3min): 200A
- Coil operation voltage: 12V, 24V
- Coil resistance (+20 °C): 26Ω, 15.3Ω, 3.8Ω available for different pull-in voltages

PRODUCT OFFERING - EVC 135

Order	Part Number	Coil Ohms	Wire Length	Coil Termination	Mounting
2203194-1	EVC135-4BNG	15.3Ω	6 in (150mm)	Stripped Wire	Bottom
2138011-1	EVC135-4ANG	15.3Ω	15 in (380mm)	Stripped Wire	Bottom
2138168-1	EVC135-4BNH	15.3Ω	6 in (150mm)	Stripped Wire	Side
2203120-1	EVC135-4ANH	15.3Ω	15 in (380mm)	Stripped Wire	Side
2098371-1	EVC135-5BNG	26Ω	6 in (150mm)	Stripped Wire	Bottom
2138622-1	EVC135-5ANG	26Ω	15 in (380mm)	Stripped Wire	Bottom
2203012-1	EVC135-5BNH	26Ω	6 in (150mm)	Stripped Wire	Side
2203012-2	EVC135-5ANH	26Ω	15 in (380mm)	Stripped Wire	Side
2138084-1	EVC135-6BNG	3.9Ω	6 in (150mm)	Stripped Wire	Bottom
2138603-1	EVC135-7BNG	96Ω	6 in (150mm)	Stripped Wire	Bottom

DIMENSIONS - Bottom Mount



While TE has made every reasonable effort to ensure the accuracy of the information in this product flyer, TE does not guarantee that it is error-free, nor does TE make any other representation, warranty or guarantee that the information is accurate, correct, reliable or current. TE reserves the right to make any adjustments to the information contained herein at any time without notice. TE expressly disclaims all implied warranties regarding the information contained herein, including, but not limited to, any implied warranties of merchantability or fitness for a particular purpose. The dimensions in this product flyer are for reference purposes only and are subject to change without notice. Specifications are subject to change without notice. Consult TE for the latest dimensions and design specifications.