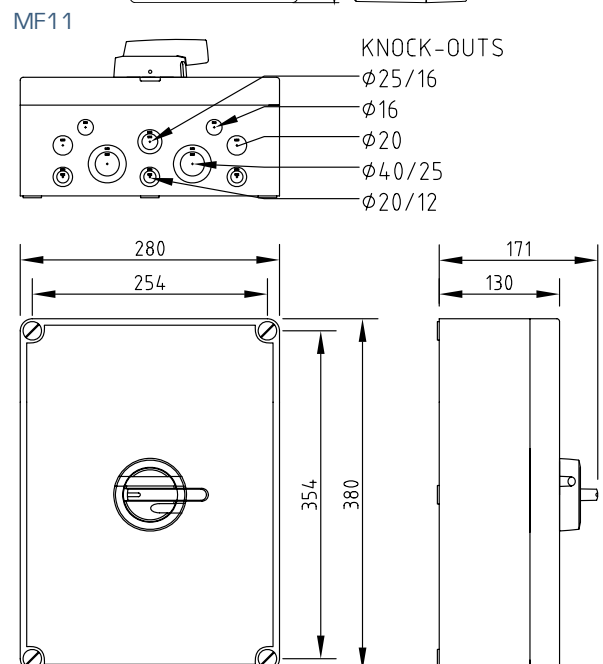
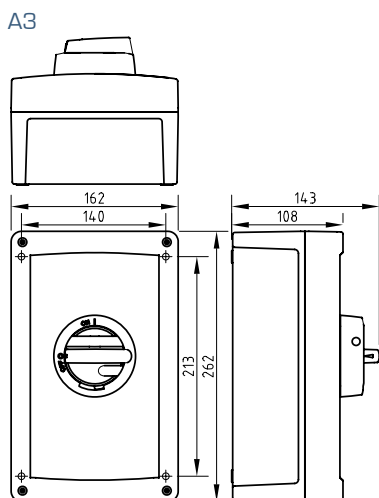
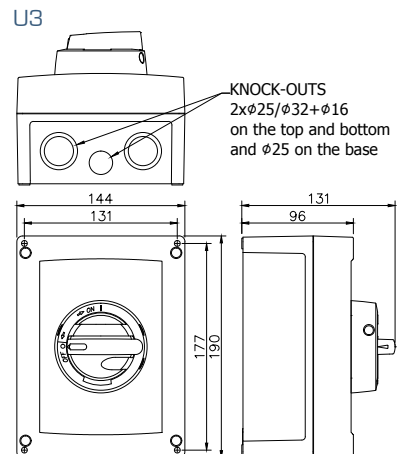
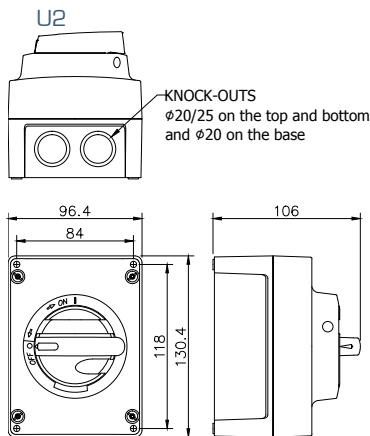


CHANGE-OVER SWITCHES 16 - 160 A

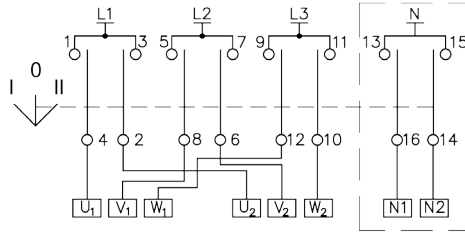


- Polycarbonate [TKM, KEM] or aluminium [KEA] enclosures
- TKM-models with cam switch 16 to 40 A
- KEM and KEA models consist of two KU or VKA switches connected by a change-over kit and range from 16 to 160 A
- IP66; enclosure types U2, U3, U5, A3
- IP65; enclosure type MF11
- Self-extinguishing material
- Excellent insulating properties
- Wide operating temperature range
- Good resistance against many chemicals
- Good UV resistance
- Padlockable
- Door interlock with defeat mechanism
- IEC 60947-3

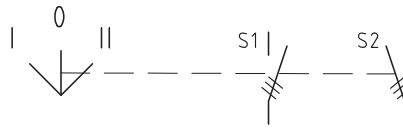


Data subject to change without notice

CHANGE-OVER SWITCHES 16 - 160 A



TK WV circuit diagram



KEM/KEA WV circuit diagram

Type		AC-21		AC-22		AC-23		AC-23		EAN-Code 6419410...		Switch	Enclosure	Weight kg
		400 V	415 V	400 V	415 V ⁽¹⁾	400 V	415 V	400 V	690 V	Grey/black	Yellow/red			
Grey/black	Yellow/red	I _n / A		I _n / A		I _n / A		P / kW		P / kW				
TKM (Polycarbonate)														
2-pole														
TKM 225U WV	TKM 225U WY/R	25 A*		25 A*		25 A*		11 kW		-	-	TK 225 W	U2	0.5
TKM 240U WV	TKM 240U WY/R	40 A*		40 A*		40 A*		18.5 kW		-	-	TK 240 W	U2	0.5
3-pole														
TKM 316U WV	TKM 316U WY/R	16 A*		16 A*		16 A*		7.5 kW		-	-	TK 316 W	U2	0.5
TKM 325U WV	TKM 325U WY/R	25 A*		25 A*		25 A*		11 kW		-	-	TK 325 W	U2	0.5
TKM 340U WV	TKM 340U WY/R	40 A*		40 A*		40 A*		18.5 kW		-	-	TK 340 W	U2	0.5
4-pole														
TKM 416U WV	TKM 416U WY/R	16 A*		16 A*		16 A*		7.5 kW		-	-	TK 416 W	U2	0.5
TKM 425U WV	TKM 425U WY/R	25 A*		25 A*		25 A*		11 kW		-	-	TK 425 W	U2	0.5
TKM 440U WV	TKM 440U WY/R	40 A*		40 A*		40 A*		18.5 kW		-	-	TK 440 W	U2	0.5
KEM (Polycarbonate)														
3-pole														
KEM 316 WV	KEM 316 WY/R	25 A		16 A		16 A		7.5 kW		16 A	11 kW	2xKU 316	U3	0.9
KEM 325 WV	KEM 325 WY/R	40 A		25 A		25 A		11 kW		25 A	22 kW	2xKU 325	U3	0.9
KEM 340 WV	KEM 340 WY/R	63 A		40 A		40 A		22 kW		32 A	30 kW	2xKU 340	U3	0.9
KEM 363 WV	KEM 363 WY/R	80 A		63 A		40 A		22 kW		40 A	37 kW	2xKU 363	U3	0.9
KEM 380 WV	KEM 380 WY/R	100 A		80 A		63 A		30 kW		40 A	37 kW	2xKU 380	U3	0.9
KEM 3100C WV	KEM 3100C WY/R	100 A		100 A ⁽¹⁾ / 80 A ⁽²⁾		63 A		30 kW		40 A	37 kW	2xKU 3100	MF11	2.1
KEM 3125C WV	KEM 3125C WY/R	125 A		125 A ⁽¹⁾ / 80 A ⁽²⁾		63 A		30 kW		40 A	37 kW	2xKU 3125	MF11	2.1
KEM 3125 W 1-0-2	KEM 3125 W 1-0-2 Y/R	160 A		125 A		125 A		55 kW		80 A	75 kW	2xKU 3125	MF11	3.8
KEM 3160 W 1-0-2	KEM 3160 W 1-0-2 Y/R	160 A		160 A		160 A		90 kW		100 A	90 kW	2xKU 3160	MF11	3.8
4-pole														
KEM 416 WV	KEM 416 WY/R	25 A		16 A		16 A		7.5 kW		16 A	11 kW	2xKU 416	U3	1
KEM 425 WV	KEM 425 WY/R	40 A		25 A		25 A		11 kW		25 A	22 kW	2xKU 425	U3	1
KEM 440 WV	KEM 440 WY/R	63 A		40 A		40 A		22 kW		32 A	30 kW	2xKU 440	U3	1
KEM 463 WV	KEM 463 WY/R	80 A		63 A		40 A		22 kW		40 A	37 kW	2xKU 463	U3	1
KEM 480 WV	KEM 480 WY/R	100 A		80 A		63 A		30 kW		40 A	37 kW	2xKU 480	U3	1
KEM 4100C WV	KEM 4100C WY/R	100 A		100 A ⁽¹⁾ / 80 A ⁽²⁾		63 A		30 kW		40 A	37 kW	2xKU 4100	MF11	2.2
KEM 4125C WV	KEM 4125C WY/R	125 A		125 A ⁽¹⁾ / 80 A ⁽²⁾		63 A		30 kW		40 A	37 kW	2xKU 4125	MF11	2.2
KEM 4125 W 1-0-2	KEM 4125 W 1-0-2 Y/R	160 A		125 A		125 A		55 kW		80 A	75 kW	2xKU 4125	MF11	4
KEM 4160 W 1-0-2	KEM 4160 W 1-0-2 Y/R	160 A		160 A		160 A		90 kW		100 A	90 kW	2xKU 4160	MF11	4
KEA (Aluminium)														
3-pole														
KEA 316 WV	KEA 316 WY/R	25 A		16 A		16 A		7.5 kW		16 A	11 kW	2xKU 316	A3	2.3
KEA 325 WV	KEA 325 WY/R	40 A		25 A		25 A		11 kW		25 A	22 kW	2xKU 325	A3	2.3
KEA 340 WV	KEA 340 WY/R	63 A		40 A		40 A		22 kW		32 A	30 kW	2xKU 340	A3	2.3
KEA 363 WV	KEA 363 WY/R	80 A		63 A		40 A		22 kW		40 A	37 kW	2xKU 363	A3	2.3
KEA 380 WV	KEA 380 WY/R	100 A		80 A		63 A		30 kW		40 A	37 kW	2xKU 380	A3	2.3
4-pole														
KEA 416 WV	KEA 416 WY/R	25 A		16 A		16 A		7.5 kW		16 A	11 kW	2xKU 416	A3	2.4
KEA 425 WV	KEA 425 WY/R	40 A		25 A		25 A		11 kW		25 A	22 kW	2xKU 425	A3	2.4
KEA 440 WV	KEA 440 WY/R	63 A		40 A		40 A		22 kW		32 A	30 kW	2xKU 440	A3	2.4
KEA 463 WV	KEA 463 WY/R	80 A		63 A		40 A		22 kW		40 A	37 kW	2xKU 463	A3	2.4
KEA 480 WV	KEA 480 WY/R	100 A		80 A		63 A		30 kW		40 A	37 kW	2xKU 480	A3	2.4

* 400/415 V

Data subject to change without notice

Dalroad are authorised UK distributors of Katko safety switches and isolators. Contact Dalroad for further information on the Katko range on 01582 505 252 or email sales@dalroad.com.