

LED DIRECTIONAL LIGHT

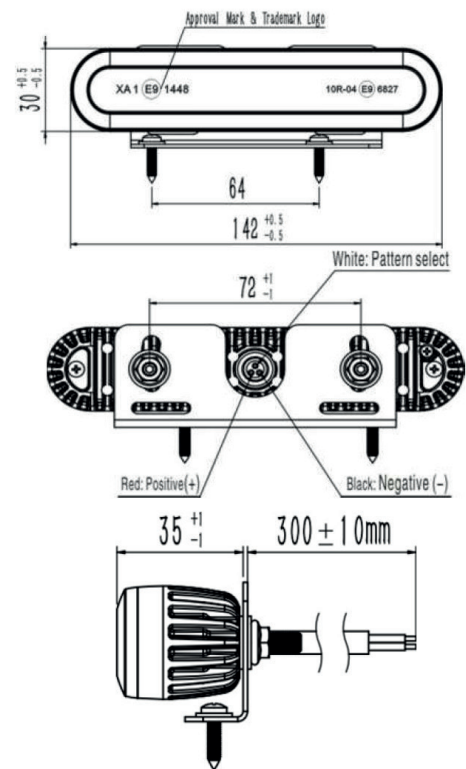


- D14190 : Amber
- D14354 : Crystal
- D14353 : Blue

This directional LED warning light is ideal for applications requiring high intensity output, low current draw and maintenance-free operation. Comprising 6 high intensity LEDs, R65 approved. 18W power output and the choice of alternative flash patterns, all ECE R10 approved and IP67, clear lens with a 0.25M potted cable for added security.

Features :

- 12 / 24V
- 10 flash patterns
- Aluminum housing, polycarbonate lens
- Colourless when not illuminated
- 6 high-intensity LEDs provide exceptional warning
- ECE R10 and R65
- Operating temperature :-40°C to +65°C
- AMPS - 1.5 @ 12V and 0.75 @ 24V
- 142 L x 30 H x 35 D (excluding bracket)
- Red positive (+); Negative black (-); Flash selection white wire



Flash Patterns (10) :

One Flash (600ms)	In turn Double Flash (800ms)
In turn 4 Flash (800ms)	3 Flash (600ms)
5 Flash (1000ms)	1 Flash (960ms)
In turn 3 Flash (600ms)	Unique (410ms)
Frequent Flash (60ms)	Combination



In turn Flash



One Flash

Dalroad

Bramingham Business Park, Enterprise Way, Luton, Bedfordshire, LU3 4BU

T: 01582 505 252 | F: 01582 560 060 | W: www.dalroad.com | E: sales@dalroad.com

