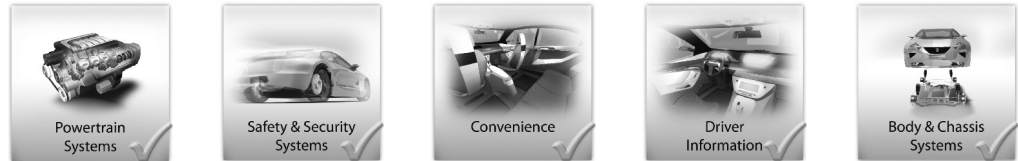


Introduction



**High-Performance  
Multiple Contact Point  
Contacts for Automotive  
Applications**



**Product Benefits**

The PCB Contact Series (2.8 mm, 6.3 mm and 9.5 mm) are high-performance multiple contact point contacts for automotive applications. With soldered joints to PCB and/or stamped grids; e.g. for fuse boxes.

**Product Features**

- Contacts for automotive applications suitable for high density PCB and grid packaging
- Designed to resist deformation
- Contacts optimized to tolerate fretting corrosion

**Applications**

- Generic PCB Modules
- Fuse Boxes, Power Boxes, PCB Joints

**Product Offering**

- SnAg Plating
- Board-to-Wire
- Unsealed
- Optimized for Automated Assembly Lines
- Wave Soldering Compatible

2.8 mm Socket Contact

**Technical Features**

**Contact Material:**

CuNiSi

**Contact Finish:**

SnAg

**Current Carrying Capacity:**

PCB 2.8 mm: <35 A

Depending on application specific factors, such as:

- PCB design
- Mating components
- Packaging environment

**Temperature Range:**

-40 °C up to +130 °C

**Mating Force:**

Depending on application

**Unmating Force:**

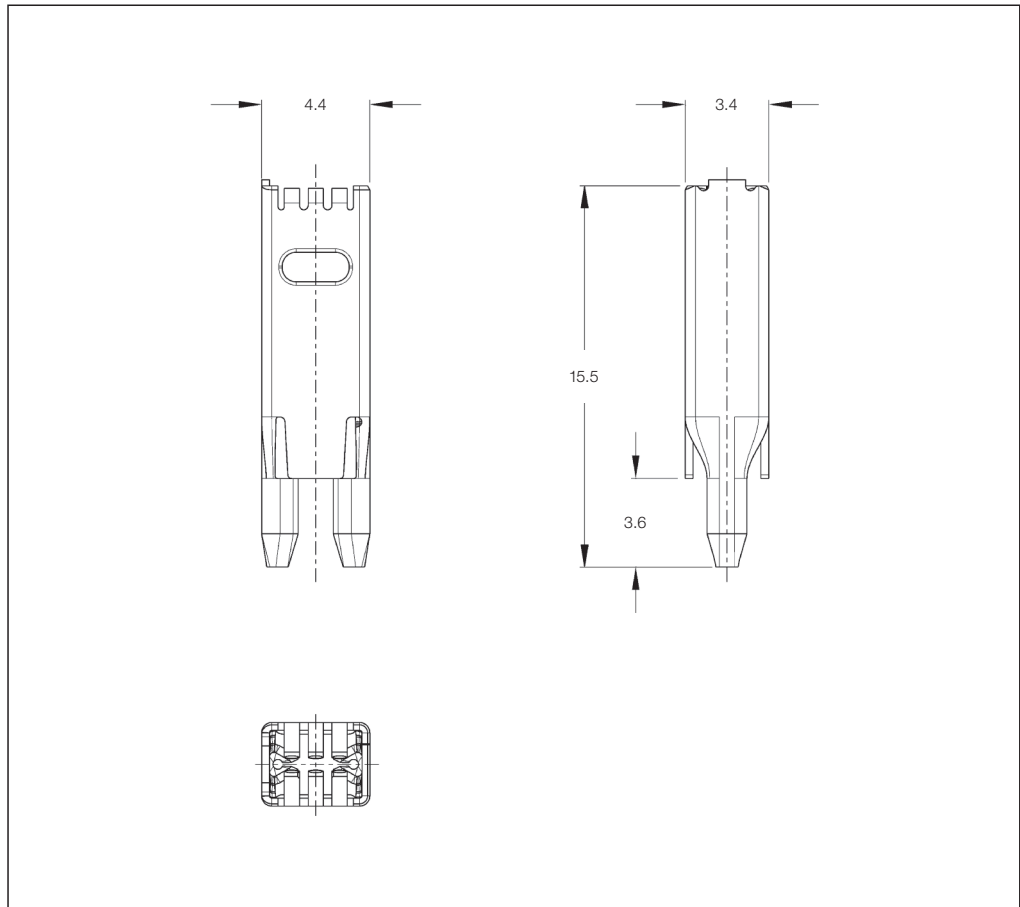
Depending on application

**Product Specification:**

108-94129

**Application Specification:**

114-18910



**2.8 mm Socket Contact**

Material and Finish	Part Numbers						
	Strip Form	Package Quantity	Loose-Piece	Package Quantity	Mating Tab Contact	Applicator	Hand Tool
CuNiSi, SnAg	1719103-1	10,000 (Reel)	-	-	C-114-18230-002 Version 2b Tab 2.8 x 0.8 mm	-	-

**6.3 mm Socket Contact**

**Technical Features**

**Contact Material:**

CuNiSi

**Contact Finish:**

SnAg

**Current Carrying Capacity:**

PCB 6.3 mm: <40 A

Depending on application specific factors, such as:

- PCB design
- Mating components
- Packaging environment

**Temperature Range:**

-40 °C up to +130 °C

**Mating Force:**

Depending on application

**Unmating Force:**

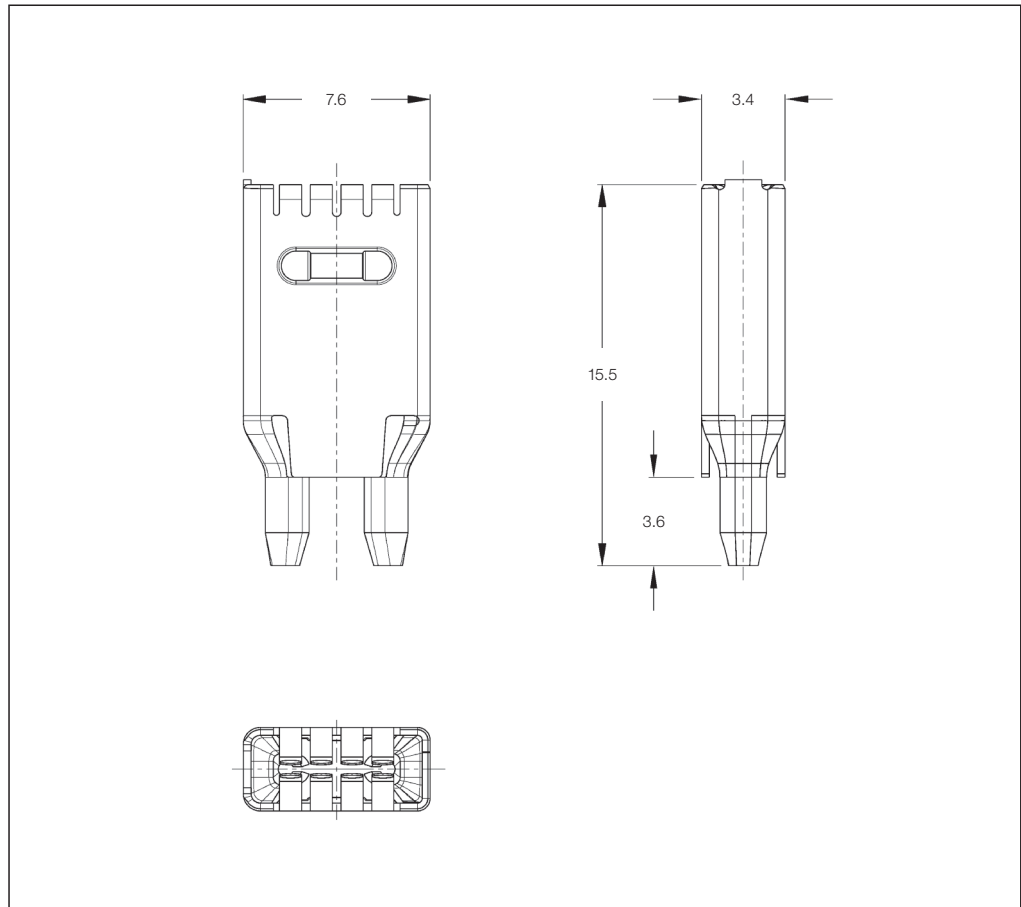
Depending on application

**Product Specification:**

108-94129

**Application Specification:**

114-18910



**6.3 mm Socket Contact**

Material and Finish	Part Numbers						
	Strip Form	Package Quantity	Loose-Piece	Package Quantity	Mating Tab Contact	Applicator	Hand Tool
CuNiSi, SnAg	1719102-1	4,500 (Reel)	-	-	C-114-18511-1 Tab 6.3 x 0.8 mm	-	-

**9.5 mm Socket Contact**

**Technical Features**

**Contact Material:**

CuNiSi

**Contact Finish:**

SnAg

**Current Carrying Capacity:**

PCB 9.5 mm: <70 A

Depending on application specific factors, such as:

- PCB design
- Mating components
- Packaging environment

**Temperature Range:**

-40 °C up to +130 °C

**Mating Force:**

Depending on application

**Unmating Force:**

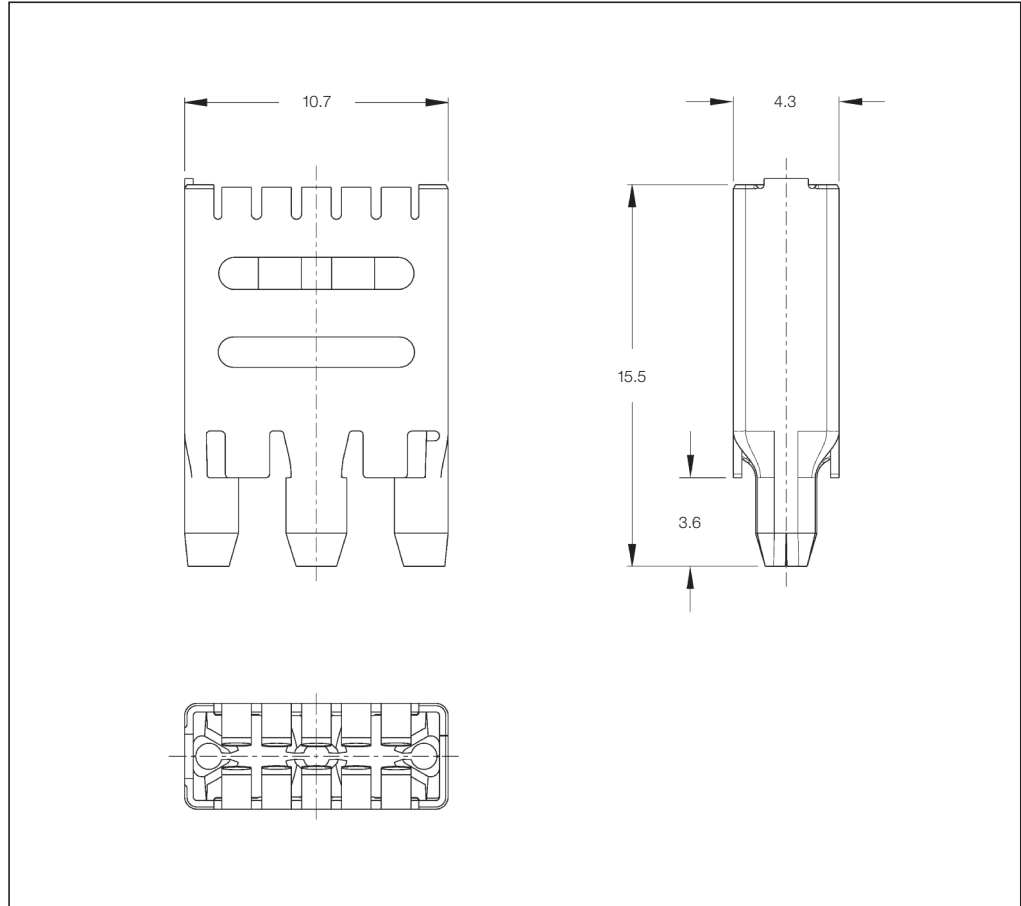
Depending on application

**Product Specification:**

108-94129

**Application Specification:**

114-18910



**9.5 mm Socket Contact**

Material and Finish	Part Numbers						
	Strip Form	Package Quantity	Loose-Piece	Package Quantity	Mating Tab Contact	Applicator	Hand Tool
CuNiSi, SnAg	1719101-1	2,200 (Reel)	-	-	C-114-18317-1 Tab 9.5 x 1.2 mm	-	-