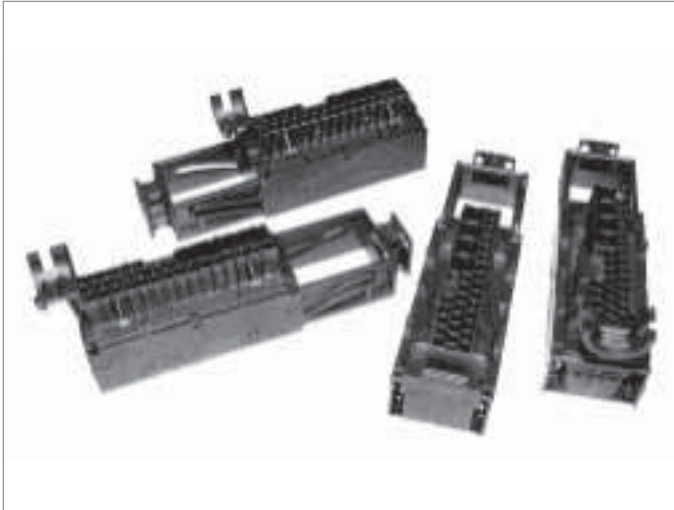


High-way plug-in connections

31-way plug-in connection

General information

Illustration



Features

- ▶ Sealed plug-in connection
- ▶ Versions with and without secondary lock
- ▶ Optionally with and without microswitch spring
- ▶ High-current contacts

Technical description

The 31-way plug-in connection is used for the connection of an ABS control unit. The combination of secondary lock, microswitch spring, factory-sealed contact clips, locking slide and outgoing cable direction permits a wide range of application-specific versions. A slide is used for pull-in and locking.

Technical features

- ▶ Vibration resistance: 2 g
- ▶ Temperature range: -40° C...+120° C
- ▶ Degree of protection: IP 54K, IP 69K
- ▶ Connection cross-sections:
 - 0.5...4 mm² (SPT)
 - 0.35...0.5 mm² (μTII)
- ▶ Suitable contacts:
 - 4x SPT with individual wire seal
 - 27x μTII with individual wire seal
- ▶ Contact spacing/posts:
 - SPT: 7.6 mm/4.8 mm
 - μTII: 4 mm/1.6 mm

All currently applicable quotation drawings and technical customer documentation for the 31-way plug-in connection product category can be found in the internet under www.bosch-connectors.com.

31-way cover

Illustration



Product information

Product code	VHP-31P
Designation	31-way wiring-harness connector
Part number	1 928 402 824
Quotation drawing (assembly)	A 928 000 208
Quotation drawing (component)	C 928 001 36A


Technical data

No. of poles	31
Outgoing cable direction (KR)	Left/right
Secondary lock	None
Type of locking (plug)	With slide
Vibration resistance	2 g
Dimensions (L x W x H)	62.60 x 25.10 x 35.00 mm
Temperature range, min./max.	-40 / 120 °C
Contact spacing	7.6 mm
Row spacing	4.80 mm
Applications	Bodywork attachment
Degree of protection	IP 54K, 69K

High-way plug-in connections


31-way plug-in connection

Pre-assembled 31-way contact carrier

Illustration	
	
Product information	
Product code	VHP-31P
Designation	31-way wiring-harness connector
Part number	1 928 402 936
Quotation drawing (assembly)	A 928 000 208
Quotation drawing (component)	D 928 001 12A


Technical data	
No. of poles	31
Encoding	1
Outgoing cable direction (KR)	Left
Secondary lock	None
Type of contact	MT2, SPT
Type of locking (plug)	With slide
Vibration resistance	2 g
Dimensions (L x W x H)	80.90 x 31.00 x 43.90 mm
Temperature range, min./max.	-40 / 120 °C
Contact spacing	7.6 mm
Row spacing	3.00 mm
Applications	Bodywork attachment
Degree of protection	IP 54K, 69K
Comments	Microswitch spring
Other features (SO)	Slide on left

Pre-assembled 31-way contact carrier

Illustration	
	
Product information	
Product code	VHP-31P
Designation	31-way wiring-harness connector
Part number	1 928 402 942
Quotation drawing (assembly)	A 928 000 208
Quotation drawing (component)	D 928 001 12A

Technical data	
No. of poles	31
Encoding	1
Outgoing cable direction (KR)	Right
Secondary lock	None
Type of contact	MT2, SPT
Type of locking (plug)	With slide
Vibration resistance	2 g
Dimensions (L x W x H)	80.90 x 31.00 x 43.90 mm
Temperature range, min./max.	-40 / 120 °C
Contact spacing	7.6 mm
Row spacing	3.00 mm
Applications	Bodywork attachment
Degree of protection	IP 54K, 69K
Comments	Microswitch spring
Other features (SO)	Slide on left

Pre-assembled 31-way contact carrier

Illustration	
	
Product information	
Product code	VHP-31P
Designation	31-way wiring-harness connector
Part number	1 928 402 944
Quotation drawing (assembly)	A 928 000 208
Quotation drawing (component)	D 928 001 12A

Technical data	
No. of poles	31
Color (FA)	Black
Encoding	1
Outgoing cable direction (KR)	Left
Secondary lock	None
Type of contact	MT2,SPT
Type of locking (plug)	With slide
Vibration resistance	2 g
Dimensions (L x W x H)	80.90 x 31.00 x 43.90 mm
Temperature range, min./max.	-40 / 120 °C
Contact spacing	7.6 mm
Row spacing	3.00 mm
Applications	Bodywork attachment
Degree of protection	IP 54K,69K
Comments	Slide on right, microswitch spring

High-way plug-in connections

31-way plug-in connection

Pre-assembled 31-way contact carrier

Illustration



Product information

Product code	VHP-31P
Designation	31-way wiring-harness connector
Part number	1 928 402 952
Quotation drawing (assembly)	A 928 000 208
Quotation drawing (component)	D 928 001 12A

Technical data

No. of poles	31
Encoding	2
Outgoing cable direction (KR)	Left
Secondary lock	None
Type of contact	MT2, SPT
Type of locking (plug)	With slide
Vibration resistance	2 g
Dimensions (L x W x H)	80.90 x 31.00 x 43.90 mm
Temperature range, min./max.	-40 / 120 °C
Contact spacing	7.6 mm
Row spacing	3.00 mm
Applications	Bodywork attachment
Degree of protection	IP 54K, 69K
Other features (SO)	Slide on left

Pre-assembled 31-way contact carrier

Illustration



Product information

Product code	VHP-31P
Designation	31-way wiring-harness connector
Part number	1 928 402 953
Quotation drawing (assembly)	A 928 000 208
Quotation drawing (component)	D 928 001 12A

Technical data

No. of poles	31
Encoding	2
Outgoing cable direction (KR)	Left
Secondary lock	None
Type of contact	MT 2,SPT
Type of locking (plug)	With slide
Vibration resistance	2 g
Dimensions (L x W x H)	80.90 x 31.00 x 43.90 mm
Temperature range, min./max.	-40 / 120 °C
Contact spacing	7.6 mm
Row spacing	3.00 mm
Applications	Bodywork attachment
Degree of protection	IP 54K, 69K
Other features (SO)	Slide on right

Pre-assembled 31-way contact carrier

Illustration



Product information

Product code	VHP-31P
Designation	31-way wiring-harness connector
Part number	1 928 402 956
Quotation drawing (assembly)	A 928 000 208
Quotation drawing (component)	D 928 001 12A


Technical data

No. of poles	31
Encoding	2
Outgoing cable direction (KR)	Right
Secondary lock	None
Type of contact	MT2, SPT
Type of locking (plug)	With slide
Vibration resistance	2 g
Dimensions (L x W x H)	80.90 x 31.00 x 43.90 mm
Temperature range, min./max.	-40 / 120 °C
Contact spacing	7.6 mm
Row spacing	3.00 mm
Applications	Bodywork attachment
Degree of protection	IP 54K, 69K
Other features (SO)	Slide on right

High-way plug-in connections


31-way plug-in connection

Pre-assembled 31-way contact carrier

Illustration	
	
Product information	
Product code	VHP-31P
Designation	31-way wiring-harness connector
Part number	1 928 402 957
Quotation drawing (assembly)	A 928 000 208
Quotation drawing (component)	D 928 001 12A


Technical data	
No. of poles	31
Encoding	1
Outgoing cable direction (KR)	Top, special design: Slide on right, microswitch spring, application: ABS 5.3
Secondary lock	None
Type of contact	MT2, SPT
Type of locking (plug)	With slide
Vibration resistance	2 g
Dimensions (L x W x H)	80.90 x 31.00 x 43.90 mm
Temperature range, min./max.	-40 / 120 °C
Contact spacing	7.6 mm
Row spacing	3.00 mm
Applications	Bodywork attachment
Degree of protection	IP 54K, 69K

Pre-assembled 31-way contact carrier

Illustration	
	
Product information	
Product code	VHP-31P
Designation	31-way wiring-harness connector
Part number	1 928 402 958
Quotation drawing (assembly)	A 928 000 208
Quotation drawing (component)	D 928 001 12A

Technical data	
No. of poles	31
Encoding	2
Outgoing cable direction (KR)	Left
Secondary lock	None
Type of contact	MT2, SPT
Type of locking (plug)	With slide
Vibration resistance	2 g
Dimensions (L x W x H)	80.90 x 31.00 x 43.90 mm
Temperature range, min./max.	-40 / 120 °C
Contact spacing	7.6 mm
Row spacing	3.00 mm
Applications	Bodywork attachment
Degree of protection	IP 54K, 69K
Comments	Contact cavities 27-31 closed
Other features (SO)	Slide on right

Pre-assembled 31-way contact carrier

Illustration	
	
Product information	
Product code	VHP-31P
Designation	31-way wiring-harness connector
Part number	1 928 402 964
Quotation drawing (assembly)	A 928 000 208
Quotation drawing (component)	D 928 001 12A

Technical data	
No. of poles	31
Color (FA)	Black
Encoding	2
Outgoing cable direction (KR)	Right, slide on right, no microswitch spring, contact cavities 27-37 closed
Secondary lock	None
Type of contact	MT2,SPT
Type of locking (plug)	With slide
Vibration resistance	2 g
Dimensions (L x W x H)	80.90 x 31.00 x 43.90 mm
Temperature range, min./max.	-40 / 120 °C
Contact spacing	7.6 mm
Row spacing	3.00 mm
Applications	Bodywork attachment
Degree of protection	IP 54K;69K

High-way plug-in connections

31-way plug-in connection

Pre-assembled 31-way contact carrier

Illustration



Product information

Product code	VHP-31P
Designation	31-way wiring-harness connector
Part number	1 928 402 965
Quotation drawing (assembly)	A 928 000 208
Quotation drawing (component)	D 928 001 12A

Technical data

No. of poles	31
Encoding	2
Outgoing cable direction (KR)	Left
Secondary lock	None
Type of contact	MT2, SPT
Type of locking (plug)	With slide
Vibration resistance	2 g
Dimensions (L x W x H)	80.90 x 31.00 x 43.90 mm
Temperature range, min./max.	-40 / 120 °C
Contact spacing	7.6 mm
Row spacing	3.00 mm
Applications	Bodywork attachment
Degree of protection	IP 54K, 69K
Comments	Contact cavities 27-31 closed
Other features (SO)	Slide on left

Pre-assembled 31-way contact carrier

Illustration



Product information

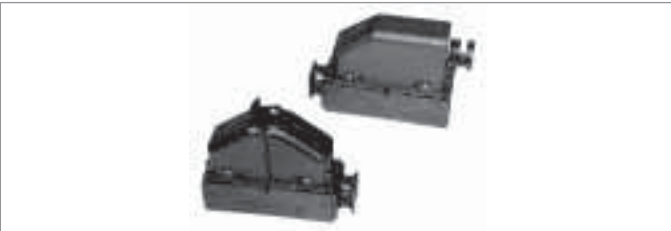
Product code	VHP-31P
Designation	31-way wiring-harness connector
Part number	1 928 402 969
Quotation drawing (assembly)	A 928 000 208
Quotation drawing (component)	D 928 001 12A

Technical data

No. of poles	31
Encoding	2
Outgoing cable direction (KR)	Top, special design: Slide on right, micro-switch spring, application: ABS 5.3
Secondary lock	None
Type of contact	MT2, SPT
Type of locking (plug)	With slide
Vibration resistance	2 g
Dimensions (L x W x H)	80.90 x 31.00 x 43.90 mm
Temperature range, min./max.	-40 / 120 °C
Contact spacing	7.6 mm
Row spacing	3.00 mm
Applications	Bodywork attachment
Degree of protection	IP 54K, 69K

Pre-assembled 31-way contact carrier

Illustration



Product information

Product code	VHP-31P
Designation	31-way wiring-harness connector
Part number	1 928 402 973
Quotation drawing (assembly)	A 928 000 208
Quotation drawing (component)	D 928 001 12A

Technical data

No. of poles	31
Type of locking (plug)	With slide
Vibration resistance	2 g
Temperature range, min./max.	-40 / 120 °C
Contact spacing	7.6 mm
Row spacing	4.80 mm
Applications	Bodywork attachment
Degree of protection	IP54K, IP69K

High-way plug-in connections

31-way plug-in connection

Pre-assembled 31-way contact carrier

Illustration



Product information

Product code	VHP-31P
Designation	31-way wiring-harness connector
Part number	1 928 402 977
Quotation drawing (assembly)	A 928 000 208
Quotation drawing (component)	D 928 001 12A

Technical data

No. of poles	31
Type of locking (plug)	With slide
Vibration resistance	2 g
Temperature range, min./max.	-40 / 120 °C
Contact spacing	7.6 mm
Row spacing	4.80 mm
Applications	Bodywork attachment
Degree of protection	IP54K, IP69K

31-way secondary lock

Illustration



Product information

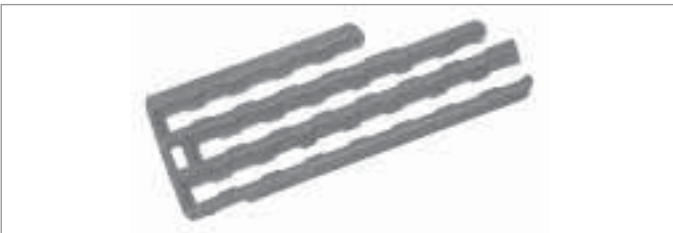
Product code	VHP-31P
Designation	31-way wiring-harness connector
Part number	1 928 402 995
Quotation drawing (assembly)	A 928 000 209
Quotation drawing (component)	C 928 001 34A

Technical data

No. of poles	31
Secondary lock	None
Type of locking (plug)	With slide
Vibration resistance	2 g
Dimensions (L x W x H)	30.50 x 13.00 x 3.80 mm
Temperature range, min./max.	-40 / 120 °C
Contact spacing	7.6 mm
Row spacing	4.80 mm
Applications	Bodywork attachment
Degree of protection	IP54K, IP69K

31-way secondary lock

Illustration



Product information

Product code	VHP-31P
Designation	31-way wiring-harness connector
Part number	1 928 402 996
Quotation drawing (assembly)	A 928 000 209
Quotation drawing (component)	C 928 001 35A

Technical data

No. of poles	31
Color (FA)	Lilac
Secondary lock	None
Type of locking (plug)	With slide
Vibration resistance	2 g
Dimensions (L x W x H)	32.15 x 12.80 x 2.20 mm
Temperature range, min./max.	-40 / 120 °C
Contact spacing	7.6 mm
Row spacing	4.80 mm
Applications	Bodywork attachment
Degree of protection	IP54K, IP69K

High-way plug-in connections

31-way plug-in connection

Pre-assembled 31-way contact carrier

Illustration



Product information

Product code	VHP-31P
Designation	31-way wiring-harness connector
Part number	1 928 403 001
Quotation drawing (assembly)	A 928 000 209
Quotation drawing (component)	D 928 001 11A

Technical data

No. of poles	31
Encoding	1
Outgoing cable direction (KR)	Left
Secondary lock	Sliding pin
Type of contact	MT2, SPT
Type of locking (plug)	With slide
Vibration resistance	2 g
Dimensions (L x W x H)	80.90 x 31.00 x 43.90 mm
Temperature range, min./max.	-40 / 120 °C
Contact spacing	7.6 mm
Row spacing	3.00 mm
Applications	Bodywork attachment
Degree of protection	IP 54K, 69K
Comments	Microswitch spring
Other features (SO)	Slide on left

Pre-assembled 31-way contact carrier

Illustration



Product information

Product code	VHP-31P
Designation	31-way wiring-harness connector
Part number	1 928 403 002
Quotation drawing (assembly)	A 928 000 209
Quotation drawing (component)	D 928 001 11A

Technical data

No. of poles	31
Encoding	1
Outgoing cable direction (KR)	Right
Secondary lock	Sliding pin
Type of contact	MT2, SPT
Type of locking (plug)	With slide
Vibration resistance	2 g
Dimensions (L x W x H)	80.90 x 31.00 x 43.90 mm
Temperature range, min./max.	-40 / 120 °C
Contact spacing	7.6 mm
Row spacing	3.00 mm
Applications	Bodywork attachment
Degree of protection	IP 54K, 69K
Comments	Microswitch spring
Other features (SO)	Slide on right

Pre-assembled 31-way contact carrier

Illustration



Product information

Product code	VHP-31P
Designation	31-way wiring-harness connector
Part number	1 928 403 003
Quotation drawing (assembly)	A 928 000 209
Quotation drawing (component)	D 928 001 11A


Technical data

No. of poles	31
Encoding	2
Outgoing cable direction (KR)	Left
Secondary lock	Sliding pin
Type of contact	MT2, SPT
Type of locking (plug)	With slide
Vibration resistance	2 g
Dimensions (L x W x H)	80.90 x 31.00 x 43.90 mm
Temperature range, min./max.	-40 / 120 °C
Contact spacing	7.6 mm
Row spacing	3.00 mm
Applications	Bodywork attachment
Degree of protection	IP 54K, 69K
Other features (SO)	Slide on left

High-way plug-in connections


31-way plug-in connection

Pre-assembled 31-way contact carrier

Illustration	
	
Product information	
Product code	VHP-31P
Designation	31-way wiring-harness connector
Part number	1 928 403 004
Quotation drawing (assembly)	A 928 000 208
Quotation drawing (component)	D 928 001 11A


Technical data	
No. of poles	31
Encoding	2
Outgoing cable direction (KR)	Right
Secondary lock	Sliding pin
Type of contact	MT2, SPT
Type of locking (plug)	With slide
Vibration resistance	2 g
Dimensions (L x W x H)	80.90 x 31.00 x 43.90 mm
Temperature range, min./max.	-40 / 120 °C
Contact spacing	7.6 mm
Row spacing	3.00 mm
Applications	Bodywork attachment
Degree of protection	IP 54K, 69K
Other features (SO)	Slide on right

Pre-assembled 31-way contact carrier

Illustration	
	
Product information	
Product code	VHP-31P
Designation	31-way wiring-harness connector
Part number	1 928 403 005
Quotation drawing (assembly)	A 928 000 209
Quotation drawing (component)	D 928 001 11A

Technical data	
No. of poles	31
Encoding	1
Outgoing cable direction (KR)	Right
Secondary lock	Sliding pin
Type of contact	MT2, SPT
Type of locking (plug)	With slide
Vibration resistance	2 g
Dimensions (L x W x H)	80.90 x 31.00 x 43.90 mm
Temperature range, min./max.	-40 / 120 °C
Contact spacing	7.6 mm
Row spacing	3.00 mm
Applications	Bodywork attachment
Degree of protection	IP 54K, 69K
Comments	Microswitch spring
Other features (SO)	Slide on left

Pre-assembled 31-way contact carrier


Illustration	
	
Product information	
Product code	VHP-31P
Designation	31-way wiring-harness connector
Part number	1 928 403 006
Quotation drawing (assembly)	A 928 000 209
Quotation drawing (component)	D 928 001 11A

Technical data	
No. of poles	31
Encoding	2
Outgoing cable direction (KR)	Top
Secondary lock	Sliding pin
Type of contact	MT2, SPT
Type of locking (plug)	With slide
Vibration resistance	2 g
Dimensions (L x W x H)	80.90 x 31.00 x 43.90 mm
Temperature range, min./max.	-40 / 120 °C
Contact spacing	7.6 mm
Row spacing	3.00 mm
Applications	Bodywork attachment
Degree of protection	IP 54K, 69K
Other features (SO)	Slide on left


High-way plug-in connections

31-way plug-in connection


Pre-assembled 31-way contact carrier

Illustration		Technical data	
		No. of poles	31
		Encoding	2
Product information		Outgoing cable direction (KR)	Left
		Secondary lock	Sliding pin
Product code	VHP-31P	Type of contact	MT2, SPT
Designation	31-way wiring-harness connector	Type of locking (plug)	With slide
Part number	1 928 403 008	Vibration resistance	2 g
Quotation drawing (assembly)	A 928 000 209	Dimensions (L x W x H)	80.90 x 31.00 x 43.90 mm
Quotation drawing (component)	D 928 001 11A	Temperature range, min./max.	-40 / 120 °C
		Contact spacing	7.6 mm
		Row spacing	3.00 mm
		Applications	Bodywork attachment
		Degree of protection	IP 54K, 69K
		Other features (SO)	Slide on right

Pre-assembled 31-way contact carrier

Illustration		Technical data	
		No. of poles	31
		Encoding	2
Product information		Outgoing cable direction (KR)	Left
		Secondary lock	Sliding pin
Product code	VHP-31P	Type of contact	MT2, SPT
Designation	31-way wiring-harness connector	Type of locking (plug)	With slide
Part number	1 928 403 009	Vibration resistance	2 g
Quotation drawing (assembly)	A 928 000 209	Dimensions (L x W x H)	80.90 x 31.00 x 43.90 mm
Quotation drawing (component)	D 928 001 11A	Temperature range, min./max.	-40 / 120 °C
		Contact spacing	7.6 mm
		Row spacing	3.00 mm
		Applications	Bodywork attachment
		Degree of protection	IP 54K, 69K
		Comments	Closed contact cavities 27-31
		Other features (SO)	Slide on right

Pre-assembled 31-way contact carrier

Illustration		Technical data	
		No. of poles	31
		Encoding	1
Product information		Outgoing cable direction (KR)	Right
		Secondary lock	Sliding pin
Product code	VHP-31P	Type of contact	MT2, SPT
Designation	31-way wiring-harness connector	Type of locking (plug)	With slide
Part number	1 928 403 011	Vibration resistance	2 g
Quotation drawing (assembly)	A 928 000 209	Dimensions (L x W x H)	80.90 x 31.00 x 43.90 mm
Quotation drawing (component)	D 928 001 11A	Temperature range, min./max.	-40 / 120 °C
		Contact spacing	7.6 mm
		Row spacing	3.00 mm
		Applications	Bodywork attachment
		Degree of protection	IP 54K, 69K
		Comments	Microswitch spring; closed contact cavities 27-31
		Other features (SO)	Slide on left

High-way plug-in connections

31-way plug-in connection

Pre-assembled 31-way contact carrier

Illustration



Product information

Product code	VHP-31P
Designation	31-way wiring-harness connector
Part number	1 928 403 012
Quotation drawing (assembly)	A 928 000 209
Quotation drawing (component)	D 928 001 11A

Technical data

No. of poles	31
Encoding	2
Outgoing cable direction (KR)	Left
Secondary lock	Sliding pin
Type of contact	MT2, SPT
Type of locking (plug)	With slide
Vibration resistance	2 g
Dimensions (L x W x H)	80.90 x 31.00 x 43.90 mm
Temperature range, min./max.	-40 / 120 °C
Contact spacing	7.6 mm
Row spacing	3.00 mm
Applications	Bodywork attachment
Degree of protection	IP 54K, 69K
Comments	Closed contact cavities 27-31
Other features (SO)	Slide on left

Pre-assembled 31-way contact carrier

Illustration



Product information

Product code	VHP-31P
Designation	31-way wiring-harness connector
Part number	1 928 403 013
Quotation drawing (assembly)	A 928 000 285
Quotation drawing (component)	D 928 001 46A

Technical data

No. of poles	31
Encoding	2
Outgoing cable direction (KR)	Left
Secondary lock	Sliding pin
Type of contact	MT2, SPT
Type of locking (plug)	With slide
Vibration resistance	2 g
Dimensions (L x W x H)	80.90 x 31.00 x 43.90 mm
Temperature range, min./max.	-40 / 120 °C
Contact spacing	7.6 mm
Row spacing	3.00 mm
Applications	Bodywork attachment
Degree of protection	IP 54K, 69K
Comments	VK=ABS 5.3
Other features (SO)	Slide on right

Pre-assembled 31-way contact carrier

Illustration



Product information

Product code	VHP-31P
Designation	31-way wiring-harness connector
Part number	1 928 403 015
Quotation drawing (assembly)	A 928 000 209
Quotation drawing (component)	D 928 001 11A


Technical data

No. of poles	31
Encoding	1
Outgoing cable direction (KR)	Left
Secondary lock	Sliding pin
Type of contact	MT2, SPT
Type of locking (plug)	With slide
Vibration resistance	2 g
Dimensions (L x W x H)	80.90 x 31.00 x 43.90 mm
Temperature range, min./max.	-40 / 120 °C
Contact spacing	7.6 mm
Row spacing	3.00 mm
Applications	Bodywork attachment
Degree of protection	IP 54K, 69K
Comments	Microswitch spring
Other features (SO)	Slide on right


High-way plug-in connections

31-way plug-in connection


Pre-assembled 31-way contact carrier

Illustration		Technical data	
		No. of poles	31
		Encoding	1
Product information		Outgoing cable direction (KR)	Right
		Secondary lock	Sliding pin
		Type of contact	MT2, SPT
		Type of locking (plug)	With slide
		Vibration resistance	2 g
		Dimensions (L x W x H)	80.90 x 31.00 x 43.90 mm
		Temperature range, min./max.	-40 / 120 °C
		Contact spacing	7.6 mm
		Row spacing	3.00 mm
		Applications	Bodywork attachment
Degree of protection	IP 54K, 69K		
Comments	Microswitch spring; closed contact cavities 27-31		
Other features (SO)	Slide on right		

Pre-assembled 31-way contact carrier

Illustration		Technical data	
		No. of poles	31
		Encoding	2
Product information		Outgoing cable direction (KR)	Right
		Secondary lock	Sliding pin
		Type of contact	MT2, SPT
		Type of locking (plug)	With slide
		Vibration resistance	2 g
		Dimensions (L x W x H)	80.90 x 31.00 x 43.90 mm
		Temperature range, min./max.	-40 / 120 °C
		Contact spacing	7.6 mm
		Row spacing	3.00 mm
		Applications	Bodywork attachment
Degree of protection	IP 54K, 69K		
Other features (SO)	Slide on left		

Pre-assembled 31-way contact carrier

Illustration		Technical data	
		No. of poles	31
		Encoding	2
Product information		Outgoing cable direction (KR)	Right
		Secondary lock	Sliding pin
		Type of contact	MT2, SPT
		Type of locking (plug)	With slide
		Vibration resistance	2 g
		Dimensions (L x W x H)	80.90 x 31.00 x 43.90 mm
		Temperature range, min./max.	-40 / 120 °C
		Contact spacing	7.6 mm
		Row spacing	3.00 mm
		Applications	Bodywork attachment
Degree of protection	IP 54K, 69K		
Comments	Closed contact cavities 27-31		
Other features (SO)	Slide on left		

High-way plug-in connections

31-way plug-in connection

Pre-assembled 31-way contact carrier

Illustration



Product information

Product code	VHP-31P
Designation	31-way wiring-harness connector
Part number	1 928 403 024
Quotation drawing (assembly)	A 928 000 209
Quotation drawing (component)	D 928 001 11A

Technical data

No. of poles	31
Encoding	2
Outgoing cable direction (KR)	Right
Secondary lock	Sliding pin
Type of contact	MT2, SPT
Type of locking (plug)	With slide
Vibration resistance	2 g
Dimensions (L x W x H)	80.90 x 31.00 x 43.90 mm
Temperature range, min./max.	-40 / 120 °C
Contact spacing	7.6 mm
Row spacing	3.00 mm
Applications	Bodywork attachment
Degree of protection	IP 54K, 69K
Comments	Contact cavities 27-31 closed
Other features (SO)	Slide on right

Pre-assembled 31-way contact carrier

Illustration



Product information

Product code	VHP-31P
Designation	31-way wiring-harness connector
Part number	1 928 403 083
Quotation drawing (assembly)	A 928 000 208
Quotation drawing (component)	D 928 001 12A

Technical data

No. of poles	31
Encoding	1
Outgoing cable direction (KR)	Top
Secondary lock	None
Type of contact	MT2, SPT
Type of locking (plug)	With slide
Vibration resistance	2 g
Dimensions (L x W x H)	80.90 x 31.00 x 43.90 mm
Temperature range, min./max.	-40 / 120 °C
Contact spacing	7.6 mm
Row spacing	3.00 mm
Applications	Bodywork attachment
Degree of protection	IP 54K, 69K
Comments	Microswitch spring
Other features (SO)	Slide on left

31-way cover

Illustration



Product information

Product code	VHP-31P
Designation	31-way wiring-harness connector
Part number	1 928 403 084
Quotation drawing (assembly)	A 928 000 208 + A 928 000 209
Quotation drawing (component)	C 928 001 37A


Technical data

No. of poles	31
Color (FA)	Black
Outgoing cable direction (KR)	Top
Secondary lock	None
Type of locking (plug)	With slide
Vibration resistance	2 g
Dimensions (L x W x H)	62.00 x 25.00 x 41.50 mm
Temperature range, min./max.	-40 / 120 °C
Contact spacing	7.6 mm
Row spacing	4.80 mm
Applications	Bodywork attachment
Degree of protection	IP54K, IP69K


High-way plug-in connections

31-way plug-in connection


Pre-assembled 31-way contact carrier

Illustration		Technical data	
		No. of poles	31
		Encoding	1
Product information		Outgoing cable direction (KR)	Top
		Secondary lock	None
Product code	VHP-31P	Type of contact	MT2, SPT
Designation	31-way wiring-harness connector	Type of locking (plug)	With slide
Part number	1 928 403 127	Vibration resistance	2 g
Quotation drawing (assembly)	A 928 000 208	Dimensions (L x W x H)	80.90 x 31.00 x 43.90 mm
Quotation drawing (component)	D 928 001 12A	Temperature range, min./max.	-40 / 120 °C
		Contact spacing	7.6 mm
		Row spacing	3.00 mm
		Applications	Bodywork attachment
		Degree of protection	IP 54K, 69K
		Comments	Microswitch spring; contact cavities 27-31 closed
		Other features (SO)	Slide on right

Pre-assembled 31-way contact carrier

Illustration		Technical data	
		No. of poles	31
		Encoding	1
Product information		Outgoing cable direction (KR)	Left
		Secondary lock	None
Product code	VHP-31P	Type of contact	MT2, SPT
Designation	31-way wiring-harness connector	Type of locking (plug)	With slide
Part number	1 928 403 131	Vibration resistance	2 g
Quotation drawing (assembly)	A 928 000 208	Dimensions (L x W x H)	80.90 x 31.00 x 43.90 mm
Quotation drawing (component)	D 928 001 12A	Temperature range, min./max.	-40 / 120 °C
		Contact spacing	7.6 mm
		Row spacing	3.00 mm
		Applications	Bodywork attachment
		Degree of protection	IP 54K, 69K
		Comments	Microswitch spring; contact cavities 27-31 closed
		Other features (SO)	Slide on right

31-way secondary lock

Illustration		Technical data	
		No. of poles	31
		Color (FA)	Lilac
Product information		Secondary lock	None
		Type of locking (plug)	With slide
Product code	VHP-31P	Vibration resistance	2 g
Designation	31-way wiring-harness connector	Dimensions (L x W x H)	29.40 x 15.50 x 10.90 mm
Part number	1 928 403 217	Temperature range, min./max.	-40 / 120 °C
Quotation drawing (assembly)	A 928 000 285	Contact spacing	7.6 mm
Quotation drawing (component)	C 928 001 47A	Row spacing	4.80 mm
		Applications	Bodywork attachment
		Degree of protection	IP54K, IP69K
		Other features (SO)	Audi special version

High-way plug-in connections

31-way plug-in connection

31-way secondary lock

Illustration



Product information

Product code	VHP-31P
Designation	31-way wiring-harness connector
Part number	1 928 403 218
Quotation drawing (assembly)	A 928 000 285
Quotation drawing (component)	C 928 001 48A

Technical data

No. of poles	31
Color (FA)	Lilac
Secondary lock	None
Type of locking (plug)	With slide
Vibration resistance	2 g
Dimensions (L x W x H)	60.20 x 15.50 x 2.20 mm
Temperature range, min./max.	-40 / 120 °C
Applications	Bodywork attachment
Degree of protection	IP 54K, 69K
Other features (SO)	Audi special version

31-way cover

Illustration



Product information

Product code	VHP-31P
Designation	31-way wiring-harness connector
Part number	1 928 403 489
Quotation drawing (assembly)	A 928 000 285
Quotation drawing (component)	C 928 002 00A

Technical data

No. of poles	31
Color (FA)	Black
Outgoing cable direction (KR)	Left/right
Secondary lock	None
Type of locking (plug)	By slide
Vibration resistance	2 g
Dimensions (L x W x H)	79.50 x 26.00 x 33.50 mm
Temperature range, min./max.	-40 / 120 °C
Contact spacing	7.6 mm
Row spacing	4.80 mm
Applications	Bodywork attachment
Degree of protection	IP54K, IP69K

31-way cover

Illustration



Product information

Product code	VHP-31P
Designation	31-way wiring-harness connector
Part number	1 928 403 550
Quotation drawing (assembly)	A 928 000 208
Quotation drawing (component)	C 928 002 06A

Technical data

No. of poles	31
Color (FA)	Black
Outgoing cable direction (KR)	Top
Secondary lock	None
Type of locking (plug)	By slide
Vibration resistance	2 g
Temperature range, min./max.	-40 / 120 °C
Contact spacing	7.6 mm
Row spacing	4.80 mm
Applications	Bodywork attachment
Degree of protection	IP54K, IP69K

High-way plug-in connections

31-way plug-in connection

31-way cover

Illustration



Product information

Product code	VHP-31P
Designation	31-way wiring-harness connector
Part number	1 928 404 032
Quotation drawing (component)	C 928 002 83A

Technical data

No. of poles	31
Color (FA)	Black
Outgoing cable direction (KR)	Left/right
Secondary lock	None
Type of locking (plug)	By slide
Vibration resistance	2 g
Dimensions (L x W x H)	62.60 x 25.10 x 29.40 mm
Temperature range, min./max.	-40 / 120 °C
Applications	Bodywork attachment
Degree of protection	IP 54K, 69K

Pre-assembled 31-way contact carrier

Illustration



Product information

Product code	VHP-31P
Designation	31-way wiring-harness connector
Part number	1 928 404 035
Quotation drawing (component)	D 928 002 75A

Technical data

No. of poles	31
Encoding	1
Outgoing cable direction (KR)	Left
Secondary lock	Sliding pin
Type of contact	MT2, SPT
Type of locking (plug)	By slide
Vibration resistance	2 g
Dimensions (L x W x H)	82.60 x 31.00 x 43.90 mm
Temperature range, min./max.	-40 / 120 °C
Row spacing	3.00 mm
Applications	Bodywork attachment
Degree of protection	IP 54K, 69K
Comments	Microswitch spring
Other features (SO)	Slide on right

Pre-assembled 31-way contact carrier

Illustration



Product information

Product code	VHP-31P
Designation	31-way wiring-harness connector
Part number	1 928 404 036
Quotation drawing (component)	D 928 002 75A

Technical data

No. of poles	31
Encoding	1
Outgoing cable direction (KR)	Right
Secondary lock	Sliding pin
Type of contact	MT2, SPT
Type of locking (plug)	By slide
Vibration resistance	2 g
Dimensions (L x W x H)	82.60 x 31.00 x 43.90 mm
Temperature range, min./max.	-40 / 120 °C
Row spacing	3.00 mm
Applications	Bodywork attachment
Degree of protection	IP 54K, 69K
Comments	Microswitch spring; closed contact cavities 27-31
Other features (SO)	Slide on right

High-way plug-in connections

31-way plug-in connection

Pre-assembled 31-way contact carrier

Illustration



Product information

Product code	VHP-31P
Designation	31-way wiring-harness connector
Part number	1 928 404 037
Quotation drawing (component)	D 928 002 75A

Technical data

No. of poles	31
Encoding	1
Outgoing cable direction (KR)	Right
Secondary lock	Sliding pin
Type of contact	MT2, SPT
Type of locking (plug)	By slide
Vibration resistance	2 g
Dimensions (L x W x H)	82.60 x 31.00 x 43.90 mm
Temperature range, min./max.	-40 / 120 °C
Row spacing	3.00 mm
Applications	Bodywork attachment
Degree of protection	IP 54K, 69K
Comments	Microswitch spring
Other features (SO)	Slide on right

Pre-assembled 31-way contact carrier

Illustration



Product information

Product code	VHP-31P
Designation	31-way wiring-harness connector
Part number	1 928 404 039
Quotation drawing (component)	D 928 002 75A

Technical data

No. of poles	31
Encoding	1
Outgoing cable direction (KR)	Left
Secondary lock	Sliding pin
Type of contact	MT2, SPT
Type of locking (plug)	By slide
Vibration resistance	2 g
Dimensions (L x W x H)	82.60 x 31.00 x 43.90 mm
Temperature range, min./max.	-40 / 120 °C
Row spacing	3.00 mm
Applications	Bodywork attachment
Degree of protection	IP 54K, 69K
Comments	Microswitch spring
Other features (SO)	Slide on left

Pre-assembled 31-way contact carrier

Illustration



Product information

Product code	VHP-31P
Designation	31-way wiring-harness connector
Part number	1 928 404 127
Quotation drawing (component)	D 928 002 75A

Technical data

No. of poles	31
Encoding	1
Outgoing cable direction (KR)	Left
Secondary lock	Sliding pin
Type of contact	MT2, SPT
Type of locking (plug)	By slide
Vibration resistance	2 g
Dimensions (L x W x H)	82.60 x 31.00 x 43.90 mm
Temperature range, min./max.	-40 / 120 °C
Contact spacing	7.6 mm
Row spacing	3.00 mm
Applications	Bodywork attachment
Degree of protection	Ip54K,69K
Comments	Microswitch spring; closed contact cavities
Other features (SO)	Slide on left

High-way plug-in connections

31-way plug-in connection

Pre-assembled 31-way contact carrier

Illustration



Product information

Product code	VHP-31P
Designation	31-way wiring-harness connector
Part number	1 928 404 128
Quotation drawing (component)	D 928 002 75A

Technical data

No. of poles	31
Encoding	1
Outgoing cable direction (KR)	Right
Secondary lock	Sliding pin
Type of contact	MT2,SPT
Type of locking (plug)	By slide
Vibration resistance	2 g
Dimensions (L x W x H)	82.60 x 31.00 x 43.90 mm
Temperature range, min./max.	-40 / 120 °C
Contact spacing	7.6 mm
Row spacing	3.00 mm
Applications	Bodywork attachment
Degree of protection	IP 54K, 69K
Comments	Microswitch spring
Other features (SO)	Slide on left