

Battery Disconnect Switch BDS-A (Latching)

- Limiting continuous current 190A at 85°C
- Electrically settable and resettable ON/OFF bistable device
- Suitable for voltage levels up to 42VDC
- High peak current carrying capability up to 1500A¹⁾

Typical applications

Preheating systems (e.g. for diesel engines, catalytic converters), battery disconnection to prevent fire caused by short circuits during an accident, dual battery applications provide the start reliability by a separate starter battery, keeps the power net in balance and to control and secure the health of the energy storage systems, seasonal, service and transport deactivation, high current switching, energy management, battery coupling.



F130_fw1_bw

Contact Data	12VDC	24VDC
Contact arrangement	1 form X, 1 NO DM (bridge)	
Rated voltage	12VDC	24VDC
Max. switching voltage	depends on load parameter ²⁾	
Rated current	load current from Terminal B to A, cable 50mm ² 260A	
Limiting continuous current	23°C, load cable 50mm ² 260A	
	85°C, load cable 50mm ² 190A	
	125°C, load cable 50mm ² 88A	
Limiting making current, resistive load, cable 50mm ² , 23°C, ton/toff=0.5s/10min	1500A, >5 ops. ¹⁾	
Limiting breaking current, resistive load, cable 50mm ² , 23°C, ton/toff=0.5s/10min	1500A, >5 ops. ¹⁾	
Limiting short-time current, overload current at 23°C, cable 50mm ² , 1000A, 1s - 0A, 9s	50x10 ³ ops. ³⁾	
Contact material	AgSnO ₂	
Contact style	bridge contact	
Initial voltage drop	at 100A < 40mV post 1min	
Operate/release time typ.	5ms at 14VDC (coil voltage)	
Electrical endurance	inductance 0.1mH, temperature change (-40/25/120°C) 2h each; cable 35mm ²	
	180A, ton/off >13x10 ³ ops., 1.5/5s.	
	100A, ton/off >50x10 ³ ops., 1.5/5s	
	150A, ton/off >25x10 ³ ops., 0.5/5s	
	100A, ton/off >70x10 ³ ops., 0.5/5s	
Mechanical endurance	>150x10 ³ ops.	

- 1) Important: please pay attention to load current direction.
 2) Please contact TE relay application engineer.
 3) Values are influenced by system temperature and load current. For further details please consult TE relay application engineers.

Coil Data	
Magnetic system	bistable (two coil system)
Rated coil voltage	12/24VDC
Max. coil power	approx. 7W at 20°C for Uon/Uoff
Max. coil temperature	155°C

Coil versions, bistable 2 coils					
Coil code	Rated voltage VDC	Set voltage VDC	Reset voltage VDC	Coil resistance Ω±10%	Impulse length ms
2021	12	6	6	4.7	15 to 100
2421	24	12	12	19.9	15 to 100

All figures are given for coil without preenergization, at ambient temperature +23°C.

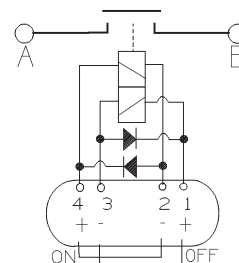
Insulation Data	
Initial dielectric strength	
between open contacts	500V _{rms}
between contact and coil	500V _{rms}

Other Data	
Ambient temperature	-40°C to +120°C
Degree of protection	dustproof/splash water proof: IP54 (IEC 60529), RT I (IEC 61810)
Vibration resistance (functional)	IEC 60068-2-6 (sine sweep) 22 to 500Hz, min. 10g.
Shock resistance (functional)	IEC 60068-2-27 (half sine) 11ms, min. 40g ⁴⁾
Terminal type	connector and screw
Weight	approx. 210g (7.4oz)
Packaging unit and delivery ⁵⁾	24 pcs.

- 4) No change in the switching state >10μs.
 5) Bistable relays are delivered in the reset position (open contacts). Due to mechanical impacts during transportation, we advise to check the contact status on receipt. Latching (delivery status "ex works").

Terminal Assignment

X2D2C
 1 form X, 1 NO DM (bridge),
 with 2 coils and 2 diodes

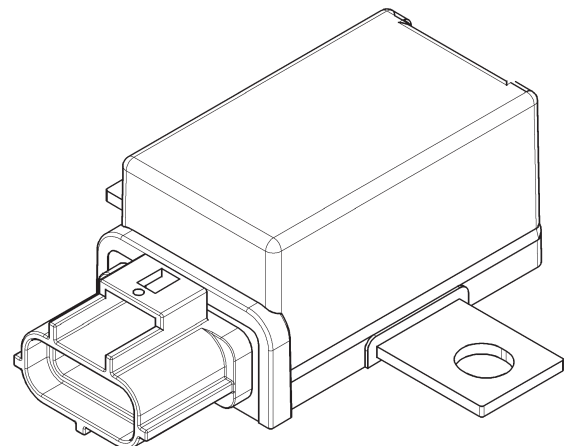
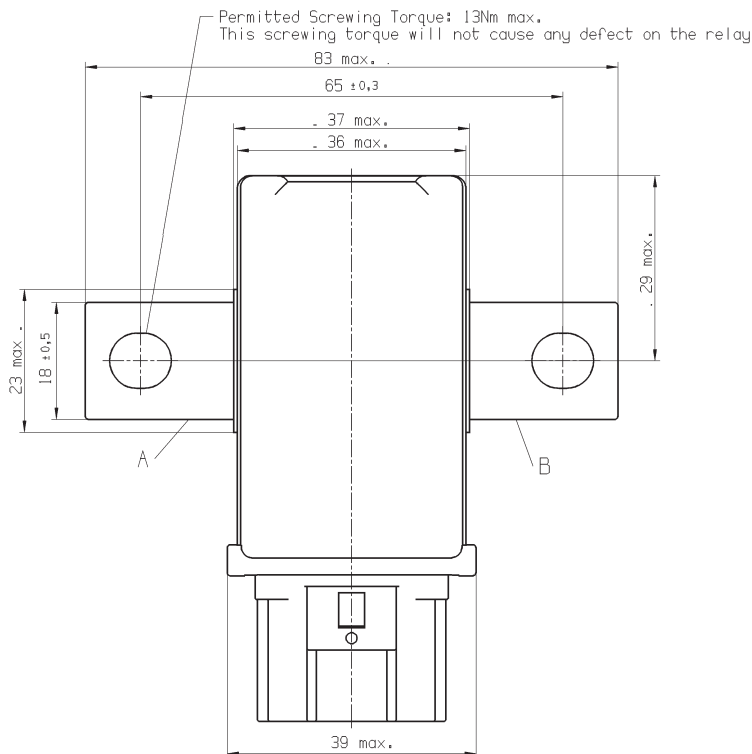
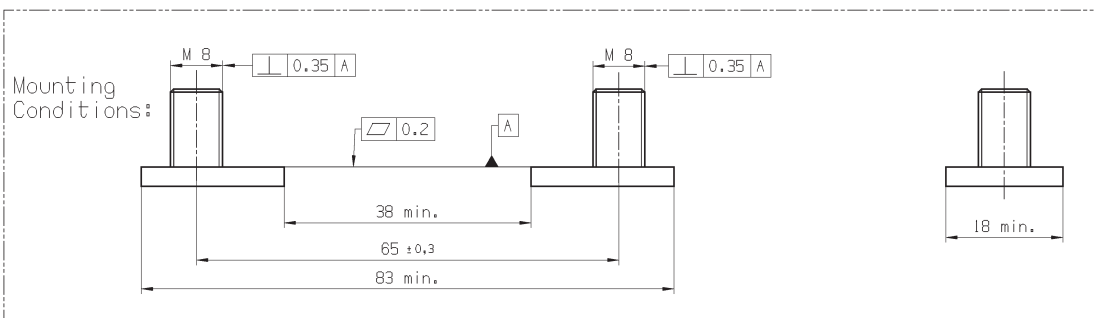
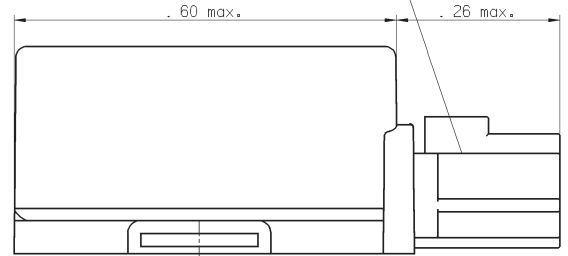
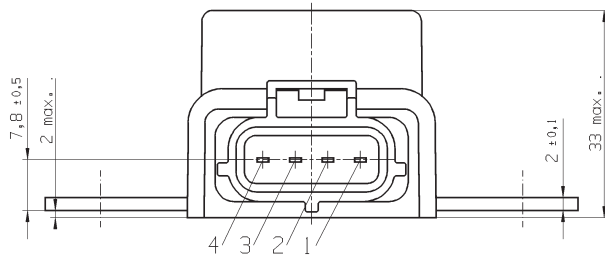


Terminal	Function
4	Set Coil (+)
3	Reset Coil (-)
2	Set Coil (-)
1	Reset Coil (+)
A	Load Terminal
B	Load Terminal

Set = A and B get connected

Battery Disconnect Switch BDS-A (Latching) (Continued)

AMP Sensor Connector 4-Position 0,070 Series,
appropriate for AMP part no. 184046-1



Battery Disconnect Switch BDS-A (Latching) (Continued)

Product code structure	Typical product code	V23130	-C	2021	-A	4	00
Type	V23130 Battery Disconnect Switch BDS-A						
Contact arrangement	C 1 form X, 1 NO DM						
Coil	2021 12VDC (bistable)		2421 24VDC (bistable)				
Protection class	A IP54						
Contact material	4 AgSnO2						
Standard version	00 Standard						

Product code	Arrangement	Coil	Circuit	Coil suppr.	Protection	Terminals	Feature	Part number
V23130-C2021-A412	1 form X,	12VDC	X2D2C	Diode	IP54	Screw + connector	Bracket	1-1414939-4
V23130-C2421-A431	1 NO DM (bridge)	24VDC						7-1414778-3

This list represents the most common types and does not show all variants covered by this datasheet.
Other types on request.