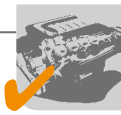


POWERTRAIN SYSTEMS



SAFETY & SECURITY SYSTEMS



CONVENIENCE



DRIVER INFORMATION



BODY & CHASSIS SYSTEMS



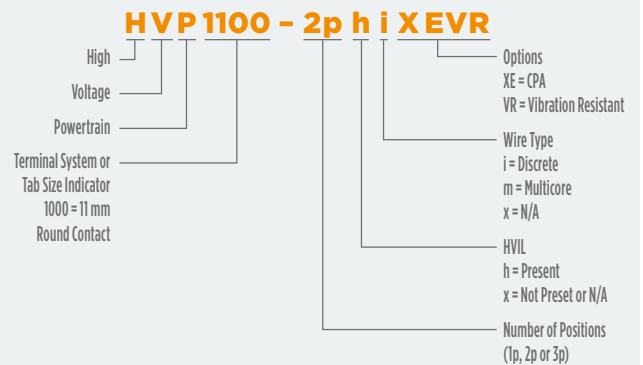
AMP+ HVP 1100

INTRODUCTION

Finger proof, touch safe, one position high current connectors and headers AMP+ 1100 are designed for flexibility with the options needed for various hybrid and electric vehicle device applications.

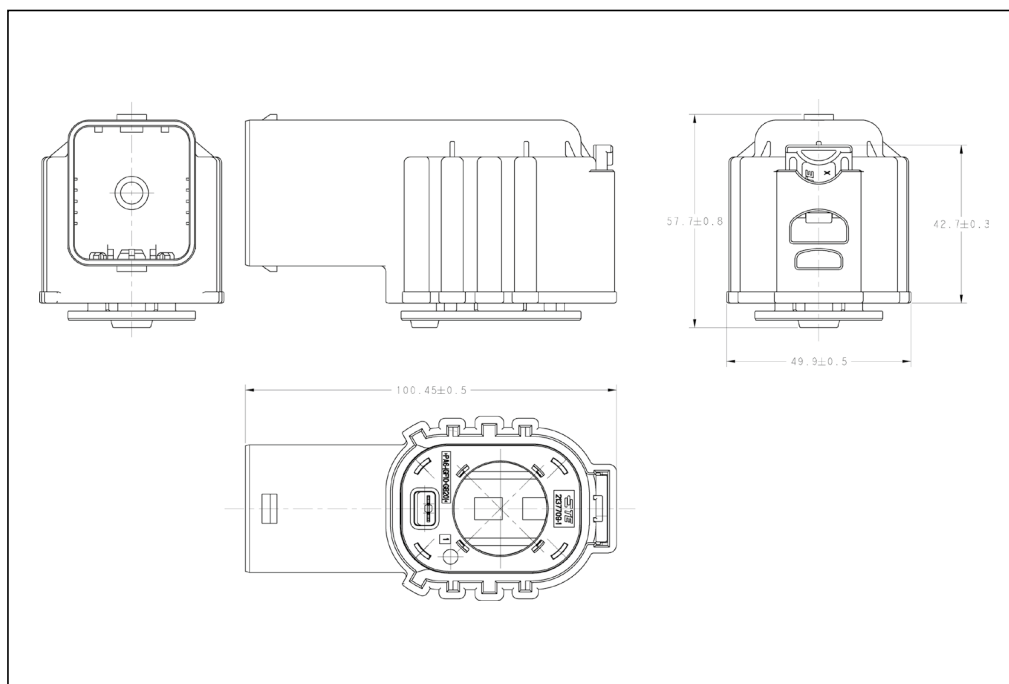
With a current carrying capability up to 300 A at 85° C, and a cable range between 50 mm² and 950 mm² individually shielded wire, the AMP+ HVP 100 can be used in many high voltage applications. The system provides an integrated internal HVIL for package size optimization.

Naming Convention HVP 1100 Connector Family





AMP HVP 1100 1phi XE Plug 90 deg



Drawing 2137704 *

Technical Features

Pin Number:

1 (+2 HVIL)

Contact System:

11 mm Round Contact

Conductor Cross-Sections:

70 mm² according to USCAR-2 REV.5, USCAR37

Voltage Range:

750 VDC

Operation Temperature:

-40 °C up to 125 °C

Current Carrying Capacity:

300A @ 85 °C (0.9 DeRating) ambient temperature

IP Rating:

Plugged: IP6k7, IP6k9k

Unplugged: IP2XB

HVIL:

Integrated, Internal

CPA:

Yes

Fire Classification:

HB

Vibration Level:

USCAR V1

Product Specification:

108-101203

Application Specification:

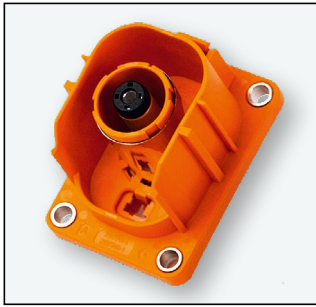
114-101010

AMP HVP 1100 1phi XE Plug 90 deg

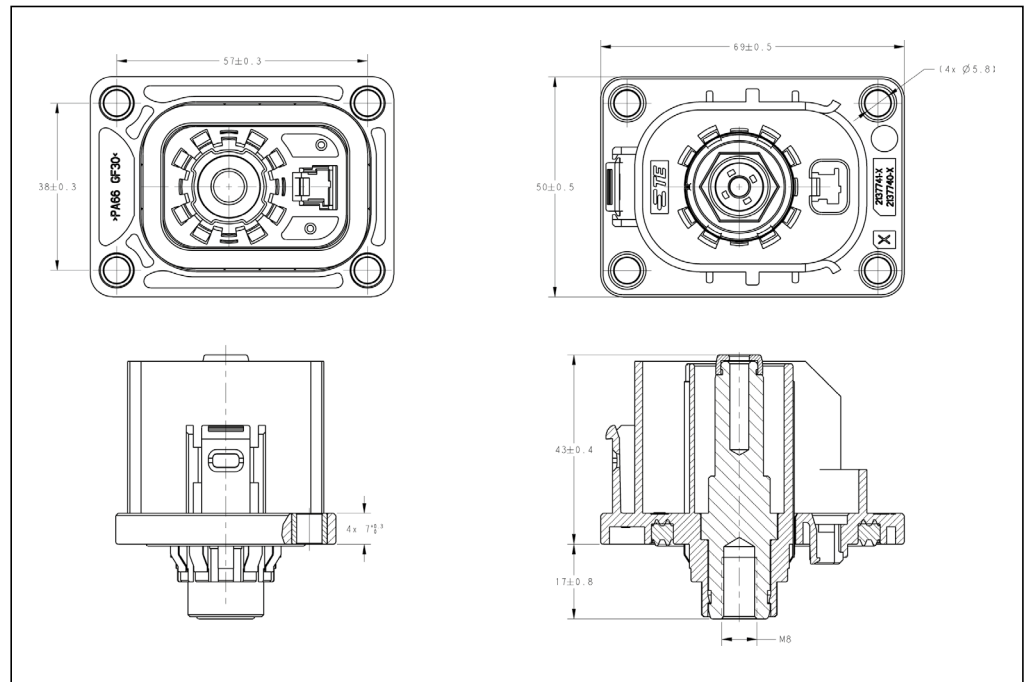
Version (Cable Dimension)	Coding	Order Information
	released	A
	in planning	B
1*70 mm ²	in planning	C
	in planning	D
	in planning	E
	in planning	F

To be Ordered
see drawing!

* Drawing Number is NOT the Order Number!



AMP HVP 1100 1phi XE Header



Drawing 2137740 *

Technical Features

- Pin Number:**
1 (+2 HVIL)
- Contact System:**
11 mm round contact
- Conductor Cross-sections:**
70 mm² according to USCAR-2 REV.5, USCAR37
- Voltage Range:**
750 VDC
- Operation Temperature:**
-40 °C up to 125 °C
- Current Carrying Capacity:**
300A @ 85 °C (0.9 DeRating)
ambient temperature
- IP Rating:**
Plugged: IP6k7, IP6k9k
Unplugged: IP2XB
- HVIL:**
Integrated, Internal
- CPA:**
Yes
- Fire Classification:**
HB
- Vibration Level:**
USCAR V1
- Product Specification:**
108-101203
- Application Specification:**
114-101010

AMP HVP 1100 1phi XE Header

	Coding	Order Information
released	A	To be Ordered see drawing!
in planning	B	
in planning	C	
in planning	D	
in planning	E	
in planning	F	

* Drawing Number is NOT the Order Number!