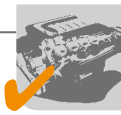


POWERTRAIN SYSTEMS



SAFETY & SECURITY SYSTEMS



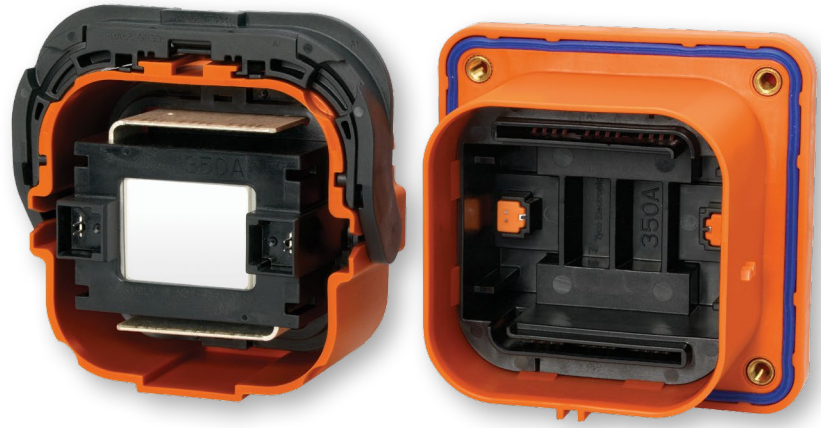
CONVENIENCE



DRIVER INFORMATION



BODY & CHASSIS SYSTEMS



AMP+ Manual Service Disconnect

INTRODUCTION

Safe, reliable solutions are required to protect service technicians and emergency response teams when working with the high voltages required in electric vehicles.

TE Connectivity's AMP+ Manual Service Disconnect utilizes a two-stage lever to open the HVIL circuit prior to separation of HV contacts. This tool-free solution for disconnecting the internal HV battery pack and protecting the battery pack HV cables from short circuiting is available in a scalable design with a variety of fuse Ratings.

All HV conducting surfaces on receptacle assembly are finger proof touch safe.



AMP+ Manual Service Disconnect – Plug

Technical Features

Fuse Rating:

Up to 630A

Voltage Rating:

450VDC (with fuse)

1000VDC (Shunt)

Operating Temperature:

-40 °C to 65 °C

Storage Temperature:

-40 °C to 85 °C

IP Rating:

Mated: IPx7, IP6k9k

Unmated: IP2xb

HVIL:

2x integrated, internal

Current Rating:

Based on fuse selection

Standards and Specifications:

USCAR-2

USCAR-37

IEC 60529

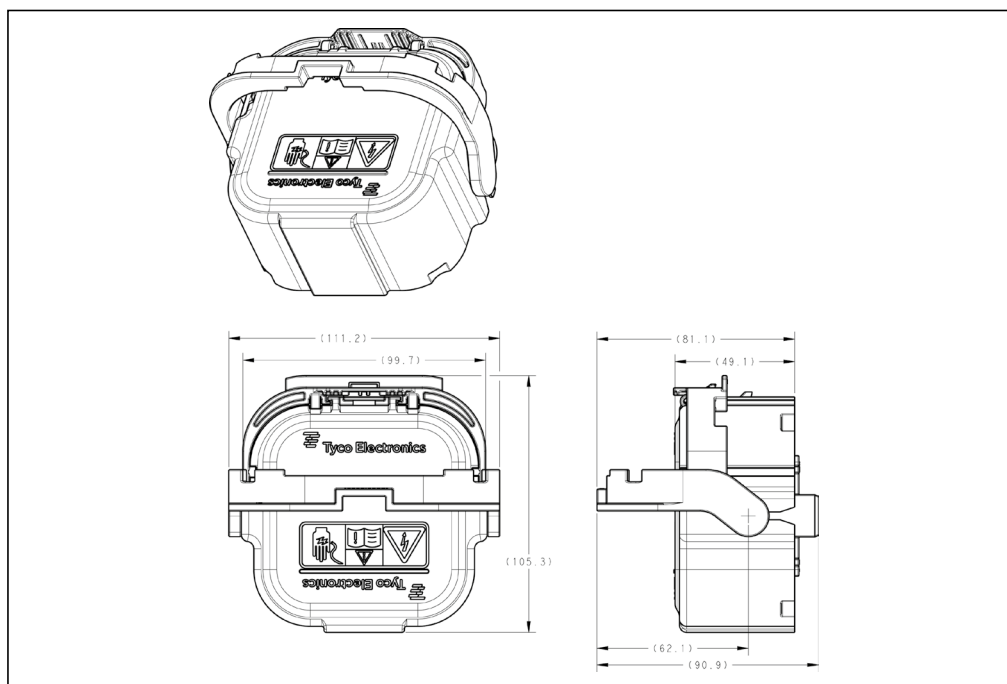
RoHS

Product Specification:

108-127000

Application Specification:

408-10432



Drawing 2103172 *

* Drawing number is NOT the Order number!

AMP+ Manual Service Disconnect – Plug

Fuse Rating	Order Information
200A	To be Ordered see drawing!
250A	
350A	
630A	
Shunt	



AMP+ Manual Service Disconnect – Receptacle

Technical Features

Fuse Rating:

Up to 630A

Voltage Rating:

450VDC (with fuse)
 1000VDC (Shunt)

Operating Temperature:

-40 °C to 65 °C

Storage Temperature:

-40 °C to 85 °C

IP Rating:

Mated: IPx7, IP6k9k
 Unmated: IP2xb

HVIL:

2x integrated, internal

Current Rating:

Based on fuse selection

Standards and Specifications:

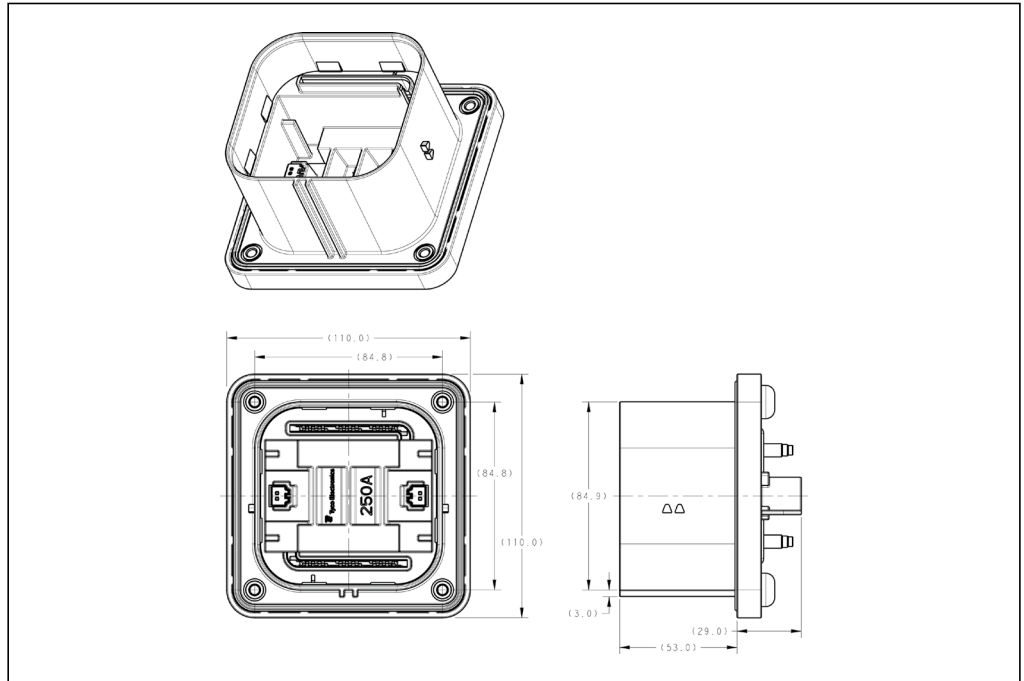
USCAR-2
 USCAR-37
 IEC 60529
 RoHS

Product Specifications:

108-127000

Application Specifications:

408-10377



Drawing 1587987 *

* Drawing number is NOT the Order number!

AMP+ Manual Service Disconnect – Receptacle

	Order Information
Receptacle	To be Ordered
Housing	see drawing!