

POWERTRAIN SYSTEMS



SAFETY & SECURITY SYSTEMS



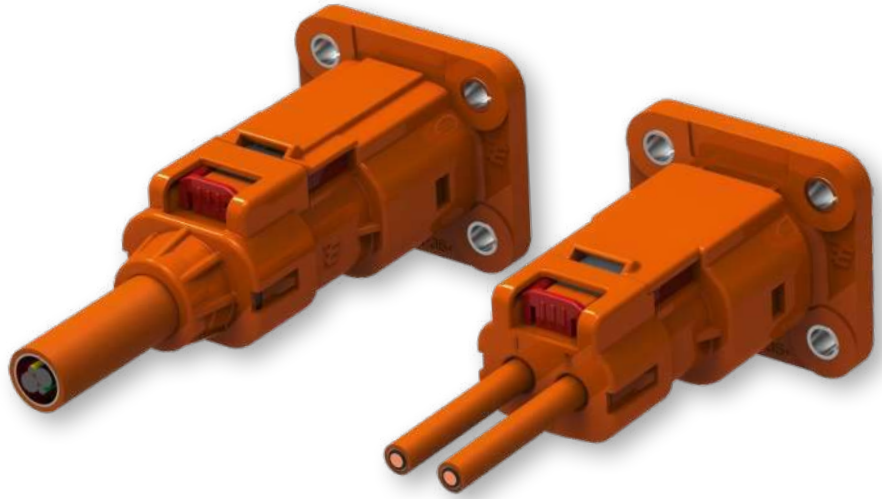
CONVENIENCE



DRIVER INFORMATION



BODY & CHASSIS SYSTEMS



AMP+ HVA 280

INTRODUCTION

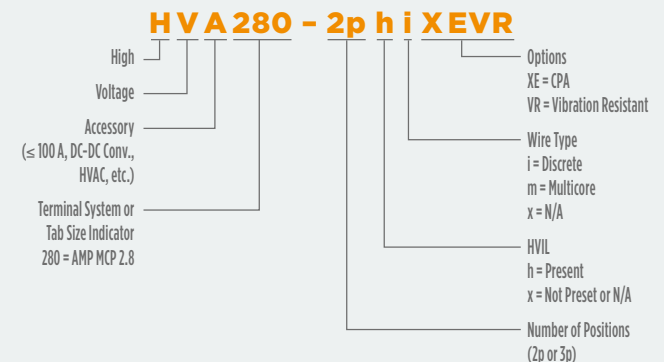
Unique design improves manufacturability and packaging. TE's AMP+ low-medium current connectors and headers HVA 280 are finger-proof, touch-safe 2- or 3-position connectors and headers, designed for great flexibility for hybrid and electric vehicle device applications.

The connector system provides multiple latching options and an integrated internal HVIL, allowing for package size optimization and routing flexibility.

In addition, the HVA 280 product family includes a discrete header design unique to the industry that improves packaging and manufacturing efficiency with a two-stage floating latch that creates safety in the system.

The HVA 280 family offers over 3,000 combination options providing solutions for a wide variety of device and wire harness applications like battery pack, DC/DC converter, on-board charger, electric heater, electric climate compressor, and high voltage power distribution.

Naming Convention HVA 280 Connector Family



Applications

Pin Number:

2 (+2 HVIL)

Contact System:

2.8 mm AMP MCP

Conductor Cross-Sections:

3.0 mm² and 4.0 mm²,
individually shielded

Voltage Range:

600V DC

Operation Temperature:

-40 °C up to 125 °C

Current Carrying Capacity:

40 A at 85 °C

27 A @ 125 °C

IP Rating:

Plugged: IP67, IP6k9k

Unplugged: IP2XB

HVIL:

Integrated, internal

Latch Access Type:

Finger access

CPA:

No

Fire Classification:

HB

Vibration Level

V1

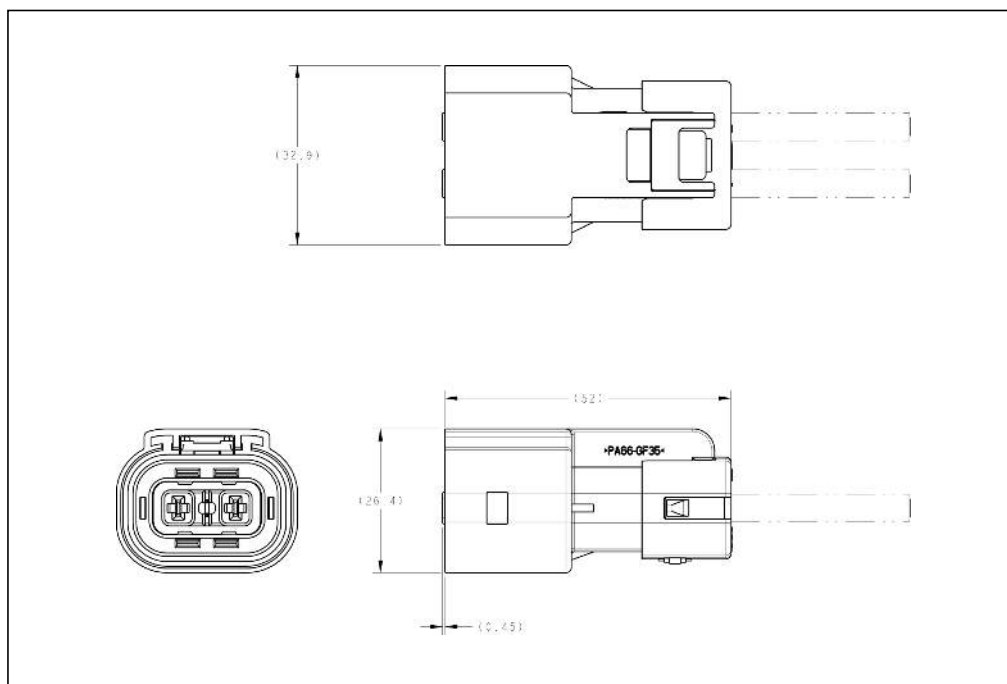
Product Specification:

108-2394

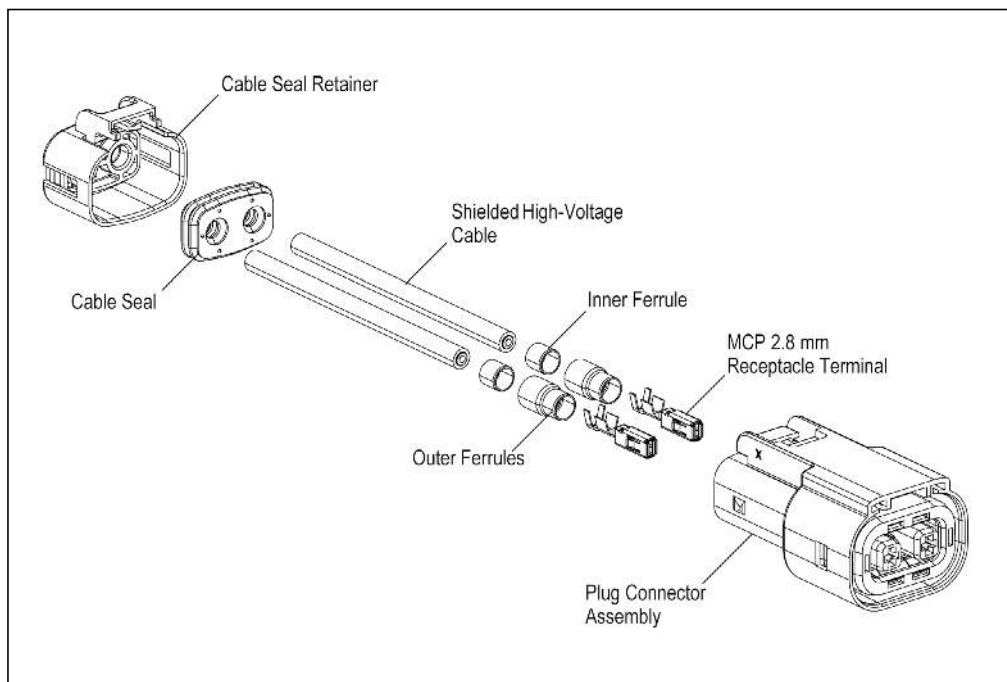
Application Specification:

114-13259

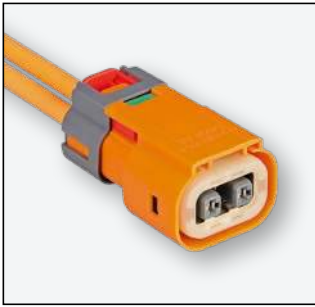
AMP+ HVA 280 2phi - Plug



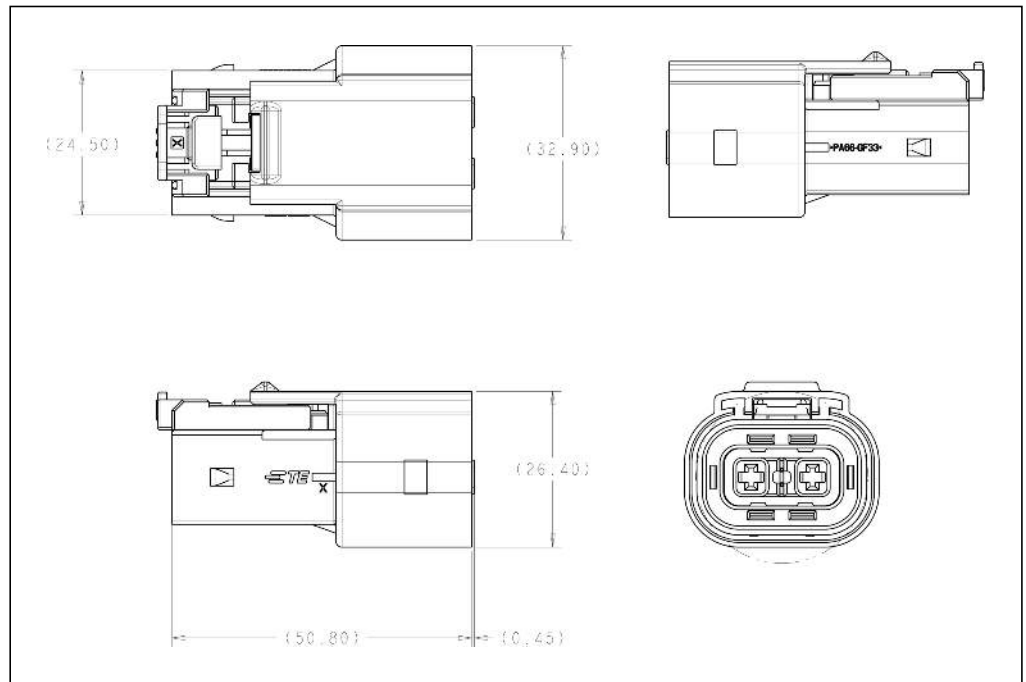
Drawing 2103339 *



* Drawing Number is NOT the Order Number!



AMP+ HVA 280 XE - Plug (individually shielded cable)



Technical Features

Pin number:

2 (+2 HVIL)

Contact System:

2.8 mm AMP MCP

Conductor Cross-Sections:

3.0 mm², 4.0 mm²
individually shielded

Voltage Range:

600V DC

Operation Temperature:

-40 °C up to 125 °C

Current Carrying Capacity:

40A at 85 °C

IP Rating:

Plugged: IP67, IP6k9k

Unplugged: IP2XB

HVIL:

Integrated, internal

Latch Access Type:

Finger and tool accessible

CPA:

With/Without

Fire Classification:

HB

Vibration Level:

V1

Shielding:

360 deg

Available Keys:

A, B, D, E, F, G

Product Specification:

108-2394

Application Specification:

114-13259

Drawing 2103176 *

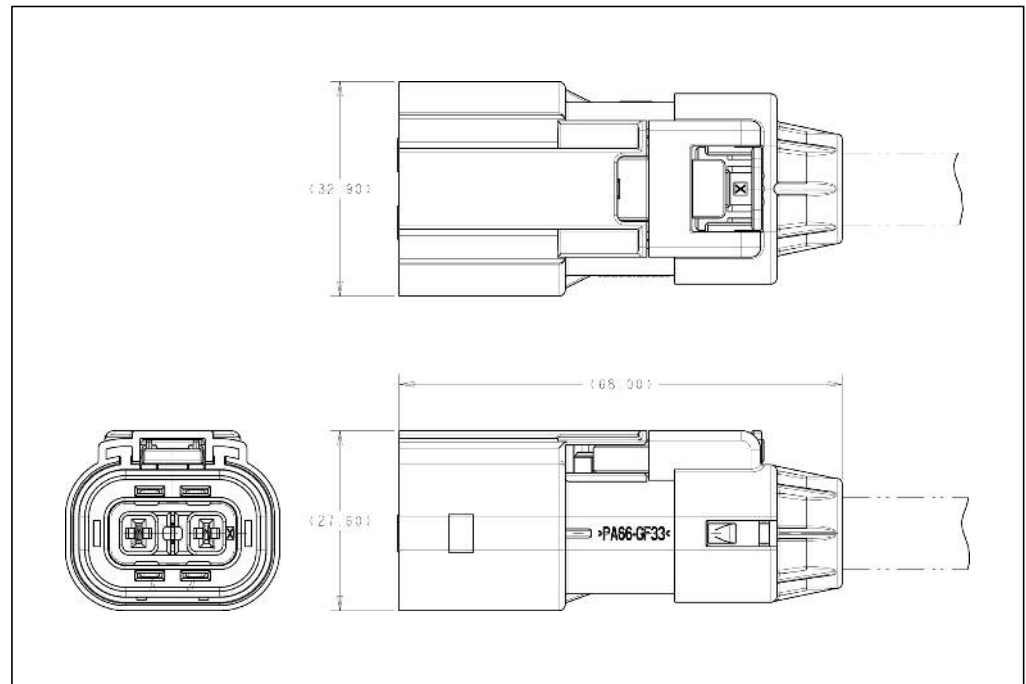
* Drawing Number is NOT the Order Number!

Technical Features

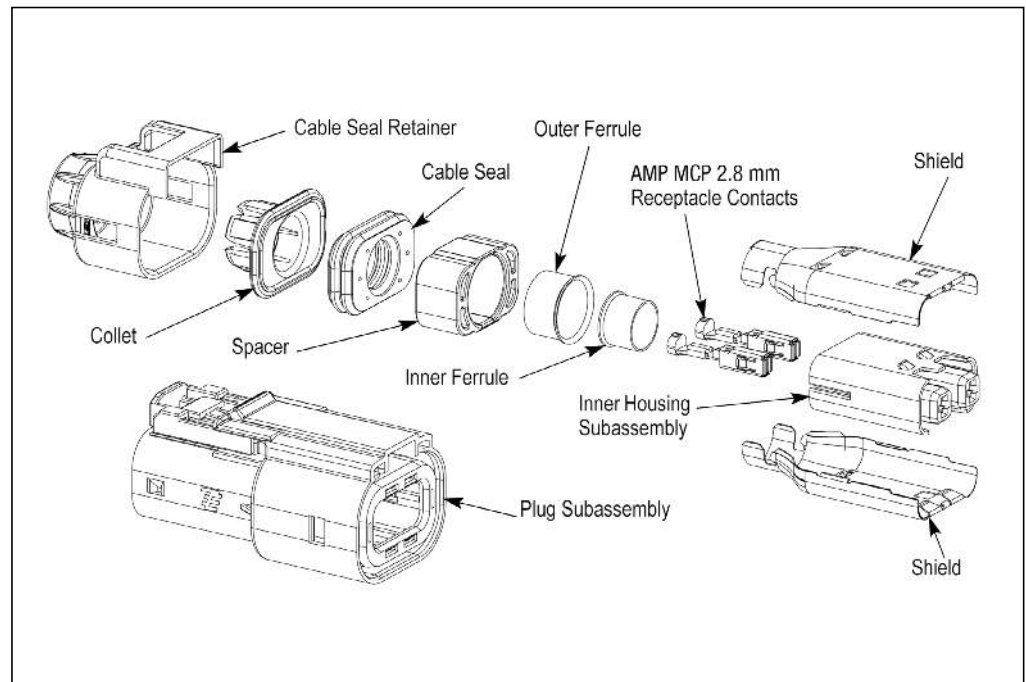
- Pin Number:**
2 (+2 HVIL)
- Contact System:**
2.8 mm AMP MCP
- Conductor Cross-Sections:**
2 x 4.0 mm², multi-core shielded
- Voltage Range:**
850 VDC
- Operation Temperature:**
-40 °C up to 140 °C
- Current Carrying Capacity:**
33A at 85 °C
- IP Rating:**
Plugged: IP67, IP6k9k
Unplugged: IP2XB
- HVIL:**
Integrated, internal
- Latch Access Type:**
Finger and tool accessible
- CPA:**
With

- Fire Classification:**
./.
- Vibration Level:**
AK Severity 2 (body-sealed)
- Shielding:**
360 deg
- Available Keys:**
A, B, D, E, F
- Product Specification:**
108-32020
- Application Specification:**
114-13305

AMP+ HVA 280 - 2 phm Shunted HVIL Plug (Multi-Core Cable)



Drawing 2103014 * and 2103437*



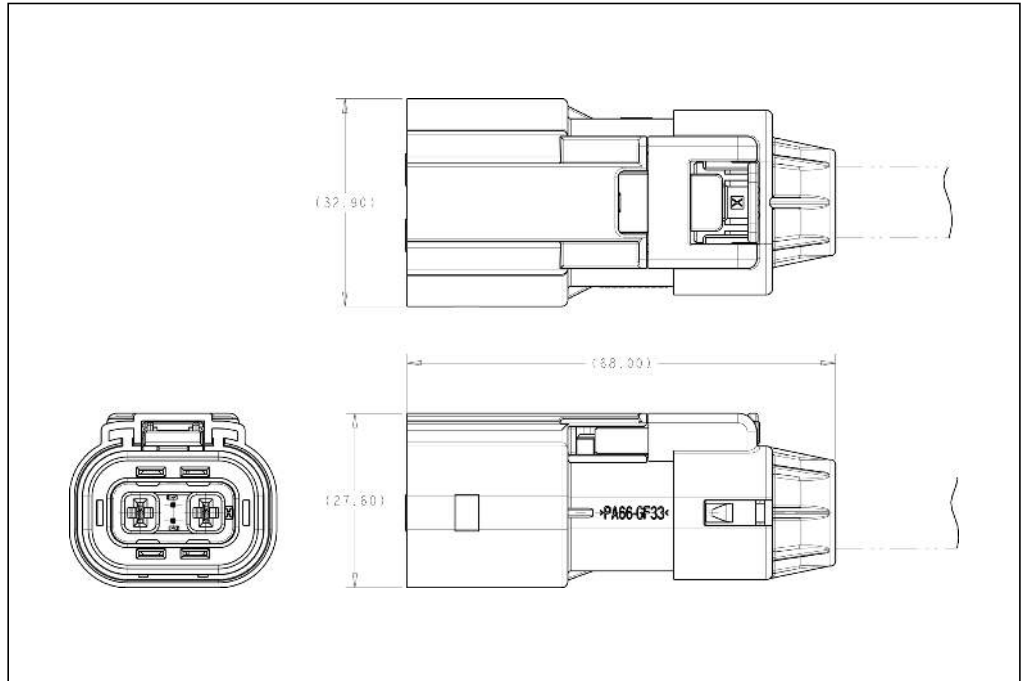
* Drawing Number is NOT the Order Number!



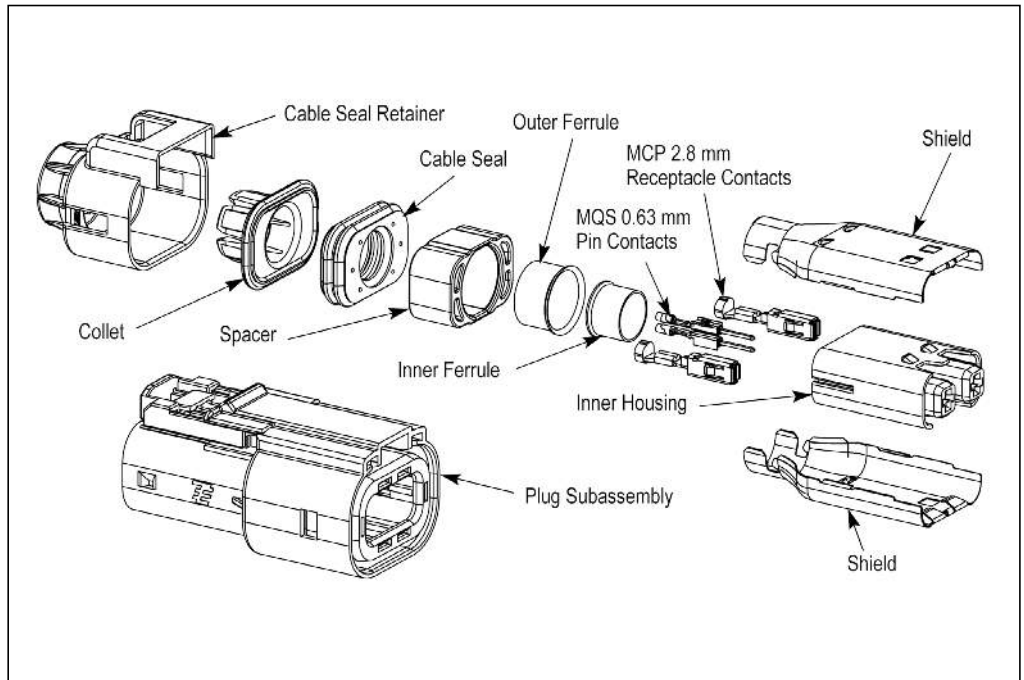
AMP+ HVA 280 - 2 phm - Pass Through HVIL Plug (Multi-Core Cable)

Technical Features

- Pin Number:**
2 (+2 HVIL)
- Contact System:**
2.8 mm AMP MCP
- Conductor Cross-Sections:**
2 x 4.0 mm² + 2 x 0.5 mm²,
multi-core shielded
- Voltage Range:**
850V DC
- Operation Temperature:**
-40 °C up to 140 °C
- Current Carrying Capacity:**
33A at 85 °C
- IP Rating:**
Plugged: IP67, IP6k9k
Unplugged: IP2XB
- HVIL:**
Integrated, internal
- Latch Access Type:**
Finger and tool accessible
- CPA:**
With
- Fire Classification:**
.I.
- Vibration Level:**
AK Severity 2 (body-sealed)
- Shielding:**
360 deg
- Available Keys:**
A, B, D, E, F
- Product Specification:**
108-32020
- Application Specification:**
114-13310



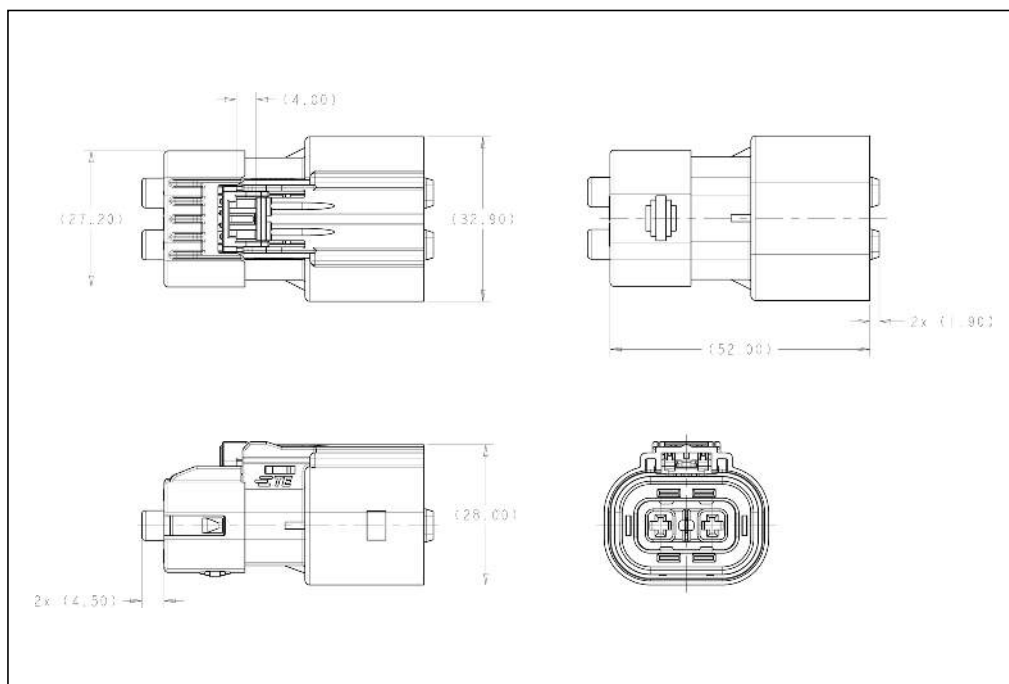
Drawing 2103163 * and 2103436*



* Drawing Number is NOT the Order Number!



AMP+ HVA 280 - 2 pxx Intelligent Plug (Single Click)



Drawing 2103744 *

Technical Features

Pin number:

2 HVIL only

Operation temperature:

-40 °C to 125 °C

IP rating:

Plugged: IP67, IP6k9k

Unplugged: IP2XB

HVIL:

Integrated, internal

Latch Access Type:

Finger accessible

CPA:

With

Fire classification:

HB

Vibration Level:

AK Severity 2 (body-sealed)

Shielding:

360 deg

Available Keys:

Z

Product Specification:

108-2394

Application Specification:

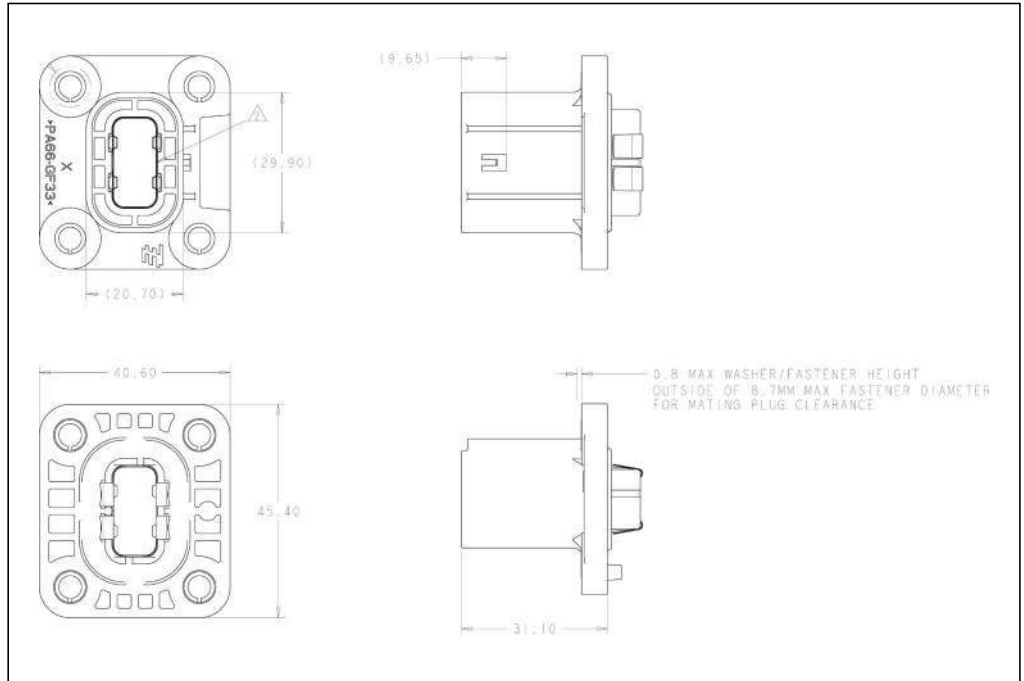
114-13259

* Drawing Number is NOT the Order Number!

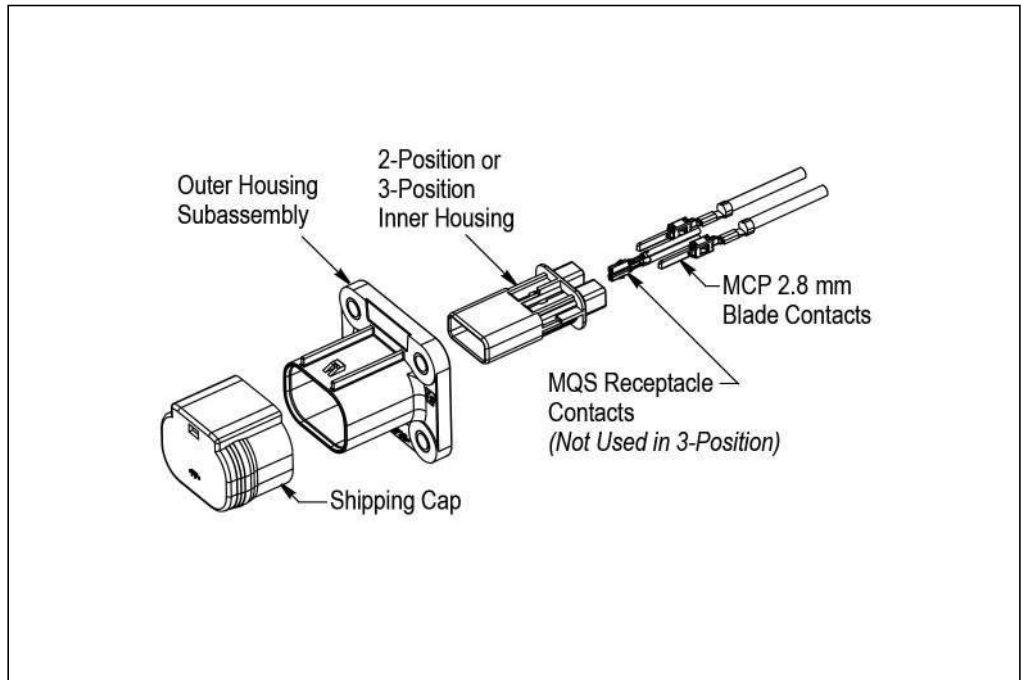
Technical Features

- Pin Number:**
2 (+2 HVIL) or 3
- Contact System:**
2.8 mm AMP MCP
- Voltage Range:**
up to 850V DC
(depends on the mating plug)
- Operation Temperature:**
-40 °C up to 140 °C
- Current Carrying Capacity:**
40 A at 85 °C
23 A at 85 °C for 3 positions
- IP Rating:**
Plugged: IP67, IP6k9k
Unplugged: IP2XB
- HVIL:**
. /.
- Fire Classification:**
HB
- Vibration Level:**
V1
- Shielding:**
360 deg
- Available Shielding:**
Tin/Silver
- Available Keys:**
A, B, D, E, F
- Product Specification:**
108-32045
- Instruction Sheet:**
408-32095

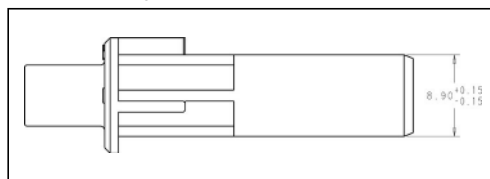
AMP+ HVA 280 - 2 phi - Plastic (Discrete) - Header 2phi /3phi



Drawing 2103247 *

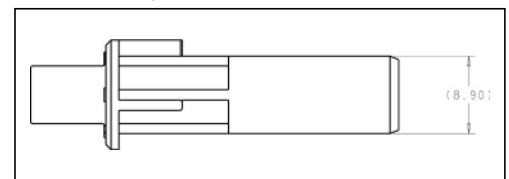


3P Inner Housing



Drawing 2103321 *

2P Inner Housing

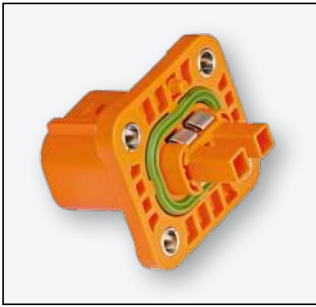


Drawing 2103245 *

Mating Plugs

2P Header	page 3, 4, 5, 6
3P Header	page 12, 13

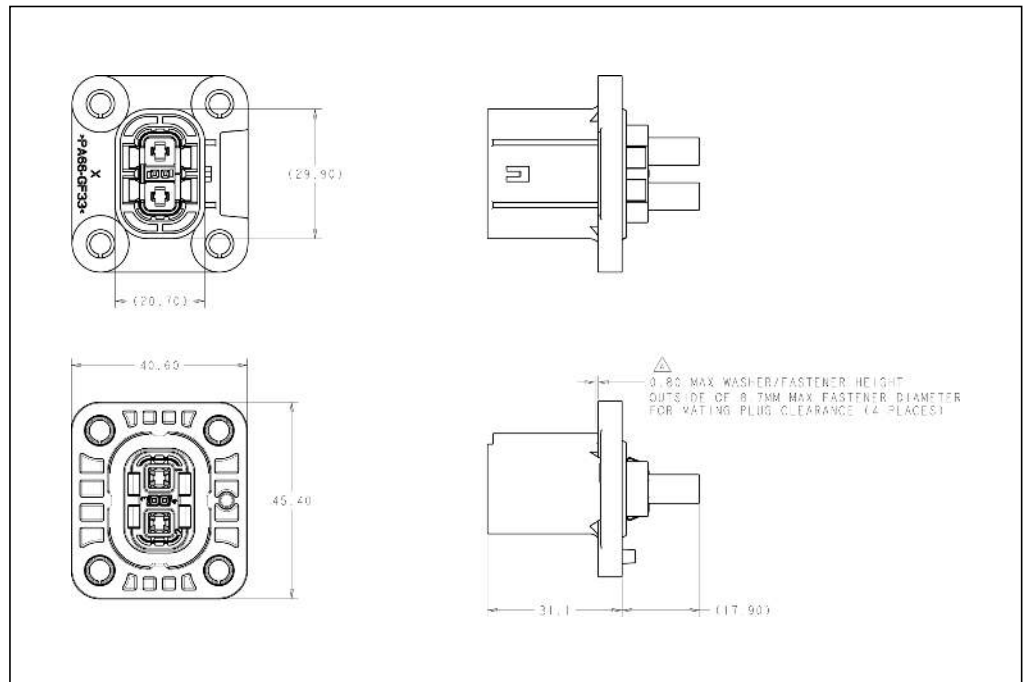
* Drawing Number is NOT the Order Number!. For interface requirements please refer to product drawing.



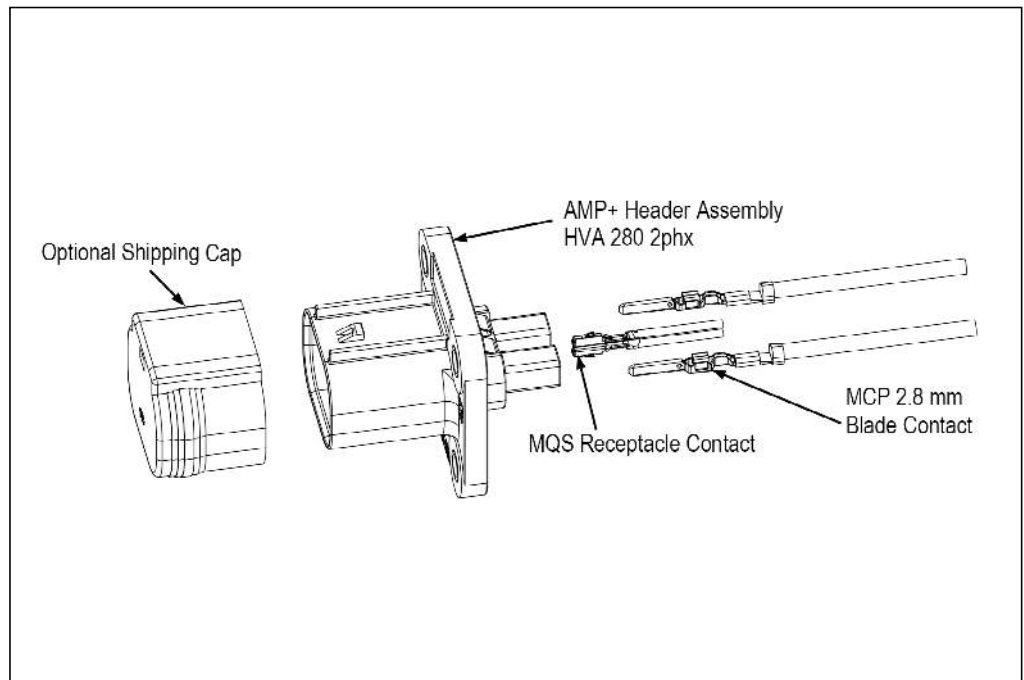
AMP+ HVA 280 - 2 phx - Plastic (1-piece) - Header

Technical Features

- Pin Number:**
2 (+2 HVIL)
- Contact System:**
2.8 mm AMP MCP contact system
- Voltage Range:**
up to 850V DC
(depends on the mating plug)
- Operation Temperature:**
-40 °C up to 140 °C
- Current Carrying Capacity:**
40A at 85 °C
- IP Rating:**
Plugged: IP67, IP6k9k
Unplugged: IP2XB
- HVIL:**
Integrated, internal
- Fire Classification:**
HB
- Vibration Level:**
AK Severity 2 (Body-Sealed)
- Shielding:**
360 deg
- Available Shielding:**
Tin/Silver
- Available Keys:**
A,B,D,E,F
- Product Specification:**
108-32020
- Instruction Sheet:**
408-10441



Drawing 2103124 *



Mating Plugs

page 3, 4, 5, 6

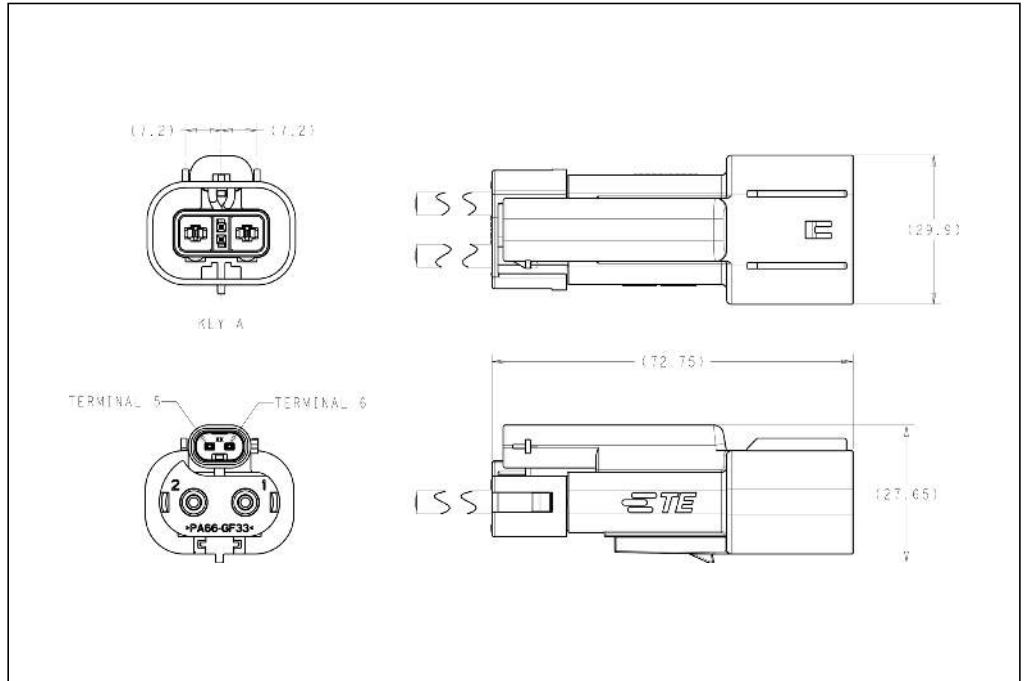
* Drawing Number is NOT the Order Number! For interface requirements please refer to product drawing.



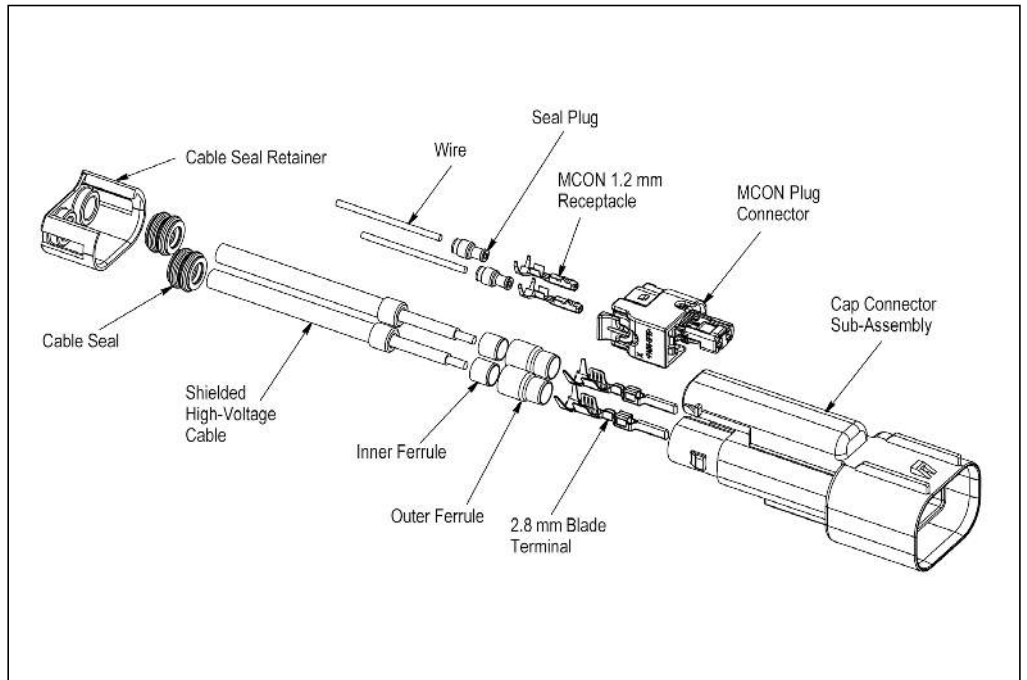
AMP+ HVA 280 - 2 phi - Inline Cap

Technical Features

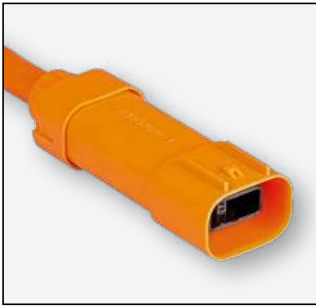
- Pin Number:**
2 (+2 HVIL)
- Contact System:**
2.8 mm AMP MCP contact system
- Conductor Cross-sections:**
2 x 3.0 mm² or 2 x 4.0 mm²
- Voltage Range:**
600 V
- Operation Temperature:**
-40 °C up to 125 °C
- Current Carrying Capacity:**
40A at 85 °C
- IP Rating:**
Plugged: IP67, IP6k9k
Unplugged: IP2XB
- HVIL:**
Integrated, external
- Fire Classification:**
HB
- Vibration Level:**
V1
- Shielding:**
360 deg
- Available Keys:**
A, B, D, E, F
- Product Specification:**
In progress
- Application Specification:**
114-32033



Drawing 2103220/2103221 *



* Drawing Number is NOT the Order Number!



AMP+ HVA 280 - 2 phm - Inline Cap

Technical Features

Pin Number:

2 (+2 HVIL)

Contact System:

2.8 mm AMP MCP contact system

Conductor Cross-sections:

2 x 4.0 mm² + 2 x 0.5 mm²,
multi-core shielded

Voltage Range:

850 VDC

Operation Temperature:

-40 °C up to 140 °C

Current Carrying Capacity:

33 A at 85°C

IP Rating:

Plugged: IP67, IP6k9k

Unplugged: IP2XB

HVIL:

Integrated, internal

Fire Classification:

HB

Vibration Level:

V1

Shielding:

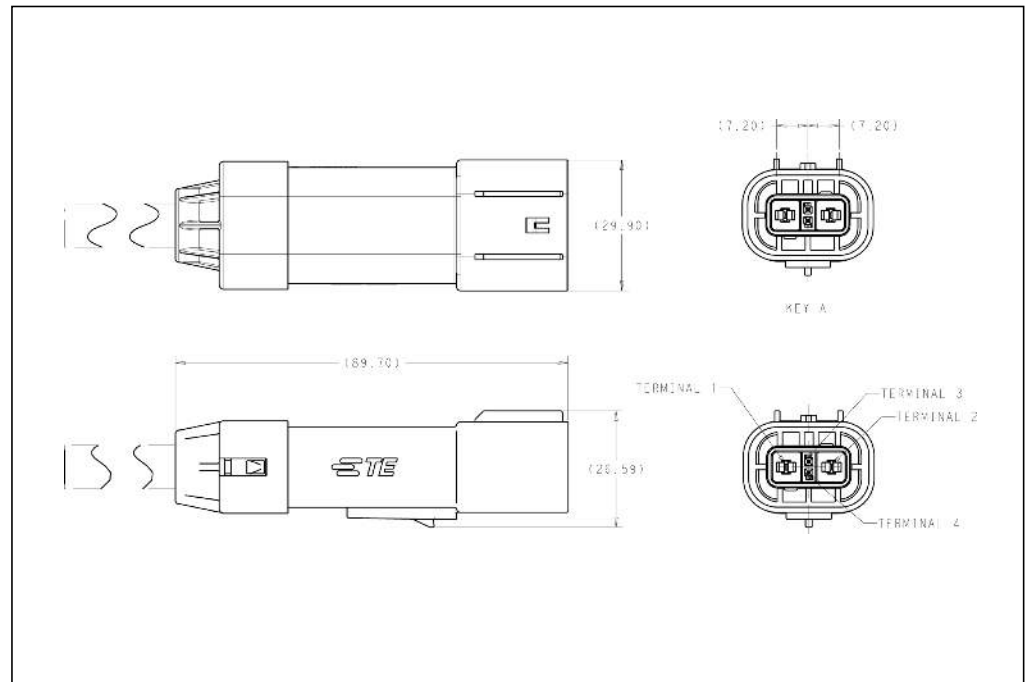
360 deg

Available Keys:

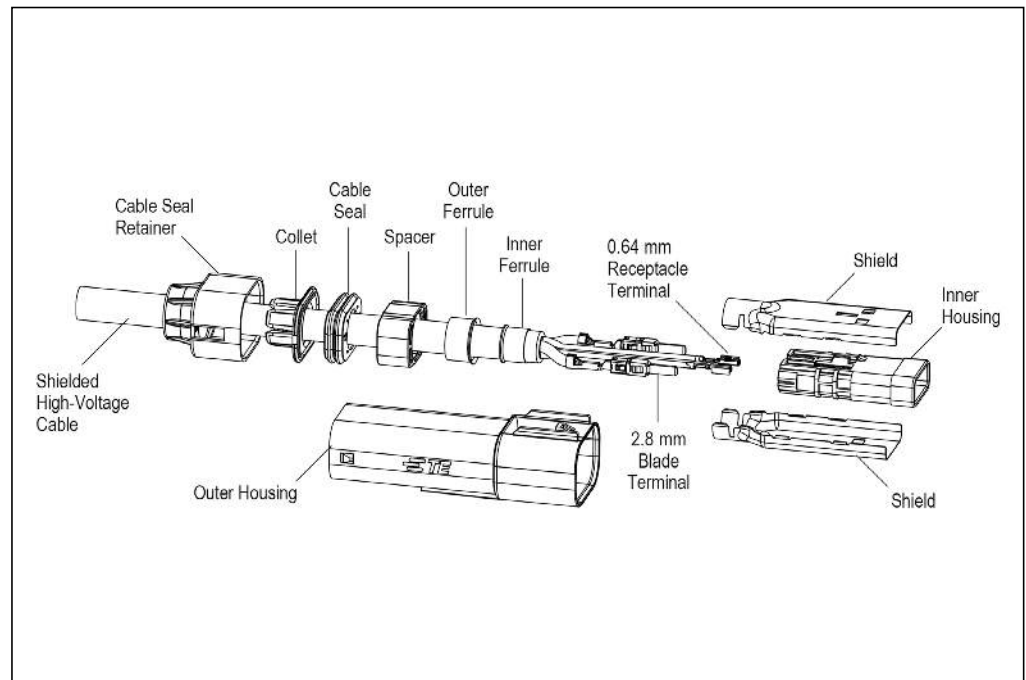
A, B, D, E, F

Application Specification:

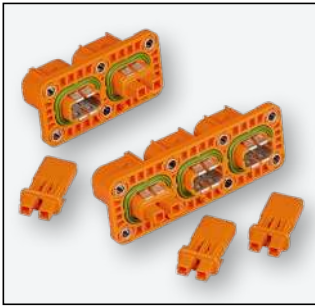
114-32034



Drawing 2103219 *



* Drawing Number is NOT the Order Number!



AMP+ HVA 280 – 2phi/3phi Multi-Bay Plastic (Discrete) Header

Technical Features

Pin Number:

For 2-bay header 2x (2+2 HVIL) or 6 (depends on selection of inner housing)
 For 3-bay header 3x (2+2 HVIL) or 9 (depends on selection of inner housing)

Contact System:

2.8 mm AMP MC

Conductor Cross-Sections:

4 mm²

Voltage Range:

up to 850V DC
 (depends on the mating plug)

Operation Temperature:

-40°C up to +125 °C

Current Carrying Capacity:

up to 40 A @ 85 °C
 (depends on the mating plug)

IP Rating:

Plugged: IP67, IP6k9k
 Unplugged: IP2XB

HVIL:

./.

Fire Classification:

HB

Vibration Level:

V1

Shielding:

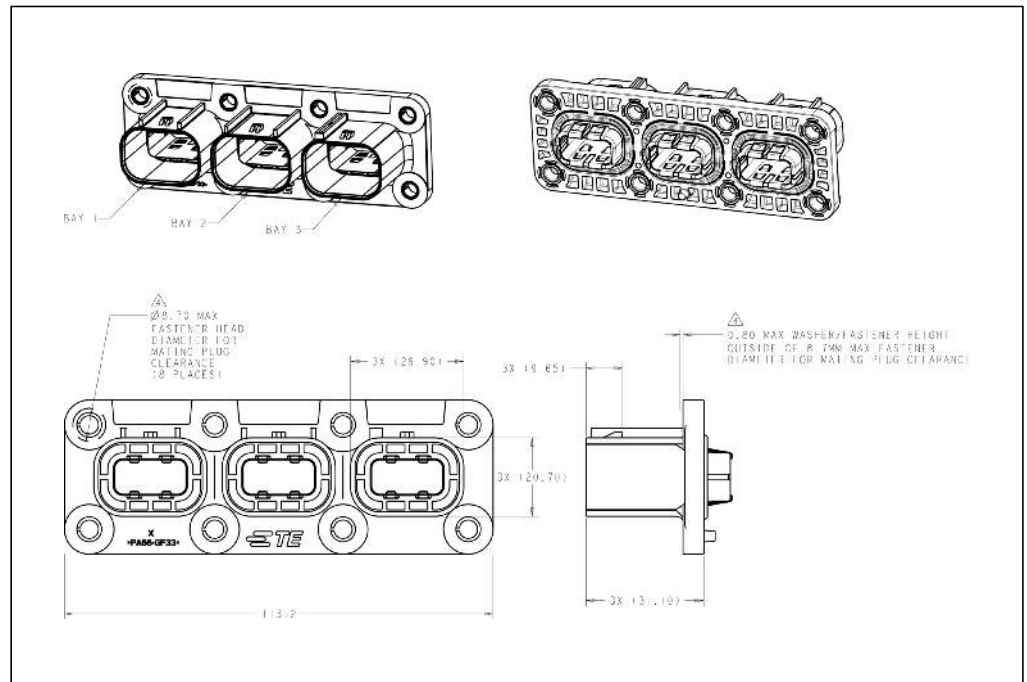
360 deg

Available Keys:

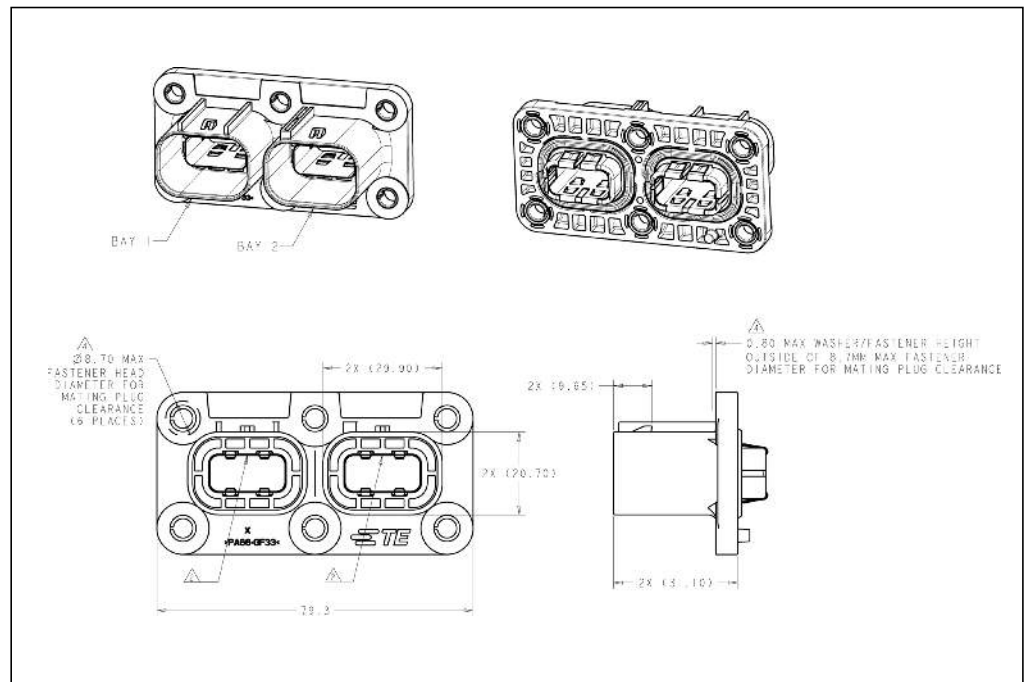
For 2 bay header
 Option 1 A, E
 Option 2 D, F
 For 3 bay header
 A, D, E

Inner Housing

For 2 positions 2103245-X
 For 3 positions 2103321-X



Drawing 2103340 *



Drawing 2103346 *

Mating Plugs

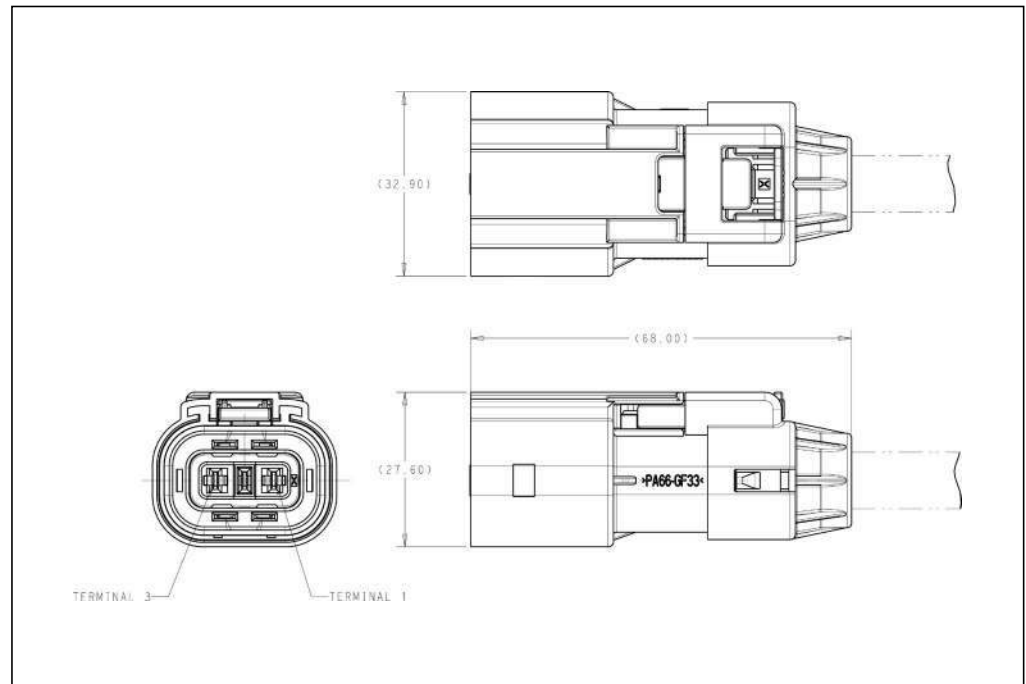
2P Header	page 3, 4, 5, 6
3P Header	page 12, 13

* Drawing Number is NOT the Order Number! For interface requirements please refer to product drawing.

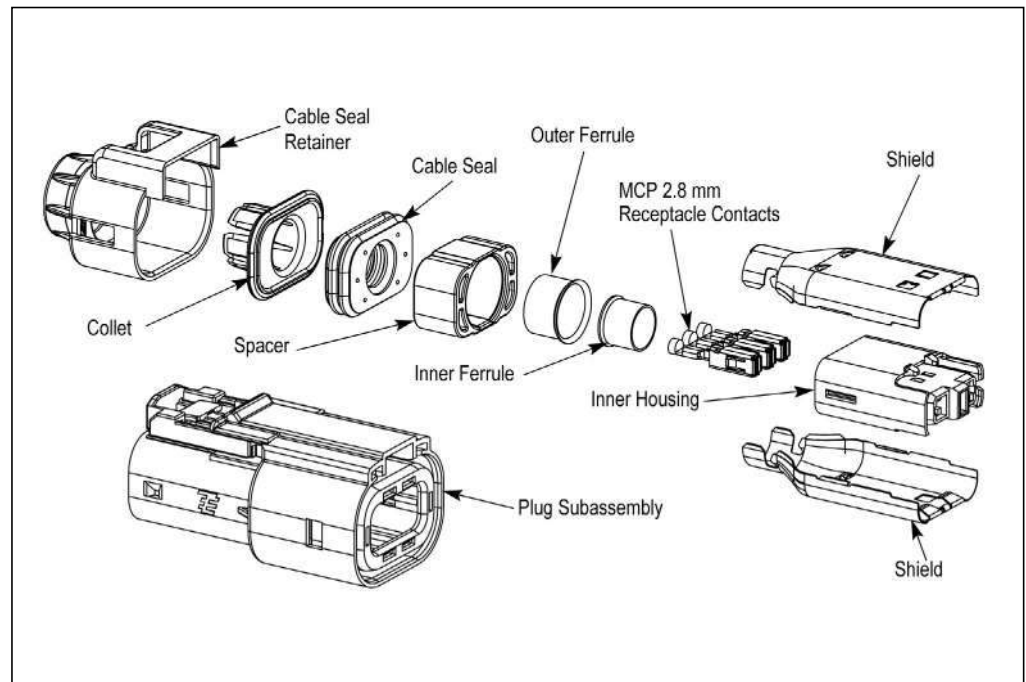
Technical Features

- Pin Number:**
3
- Contact System:**
2.8 mm AMP MCP
- Conductor Cross-Sections:**
2 x 4.0 mm² + 3 x 2.5 mm²,
multi-core shielded
- Voltage Range:**
850V DC
- Operation Temperature:**
-40 °C up to 140 °C
- Current Carrying Capacity:**
24 A @ 85°C
- IP Rating:**
Plugged: IP67, IP6k9k
Unplugged: IP2xB
- HVIL:**
. / .
- Fire Classification:**
HB
- Vibration Level:**
V1
- Available Keys:**
A, B, D, E, F, and AK Severity 2
(Body-Sealed)
- Product Specification:**
108-32020
- Application Specification:**
114-32056

AMP+ HVA 280 3PXM – XE Plug



Drawing 2103309 *



* Drawing Number is NOT the Order Number!



AMP+ HVA 280 3PXM – XE Plug (Single Click)

Technical Features

Pin Number:

3

Contact System:

2.8 mm AMP MCP

Conductor Cross-Sections:

2 x 4.0 mm² + 3 x 2.5 mm²,
 multi-core shielded

Voltage Range:

850V DC

Operation Temperature:

-40 °C up to 140 °C

Current Carrying Capacity:

24 A @ 85°C

IP Rating:

Plugged: IP67, IP6k9k

Unplugged: IP2xB

HVIL:

./.

Fire Classification:

HB

Vibration Level:

V1

Available Keys:

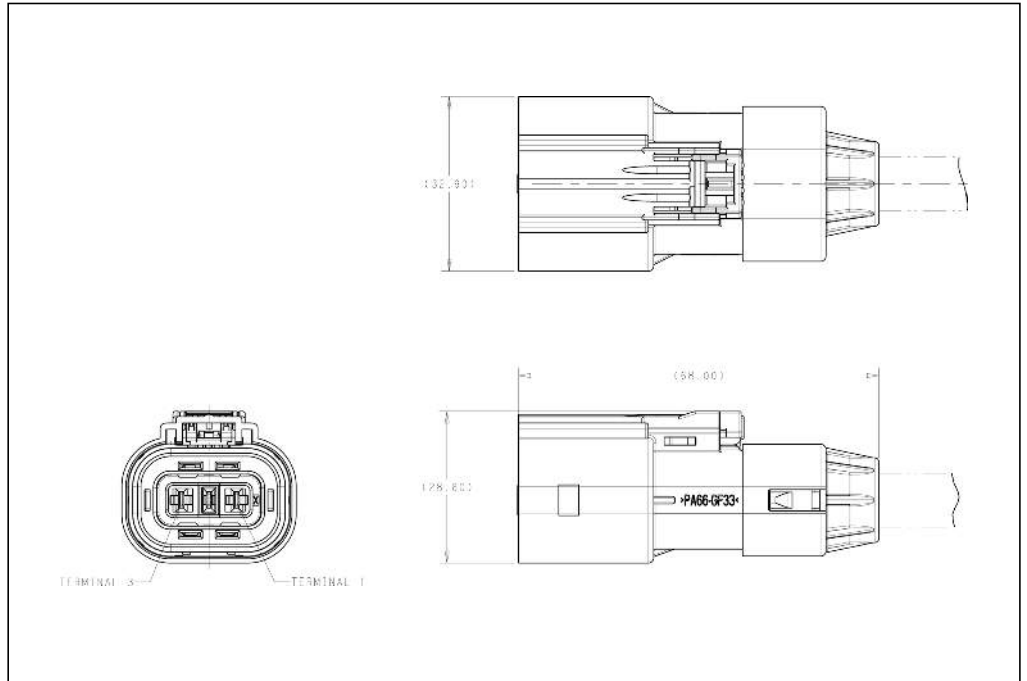
A, B, D, E, F

Product Specification:

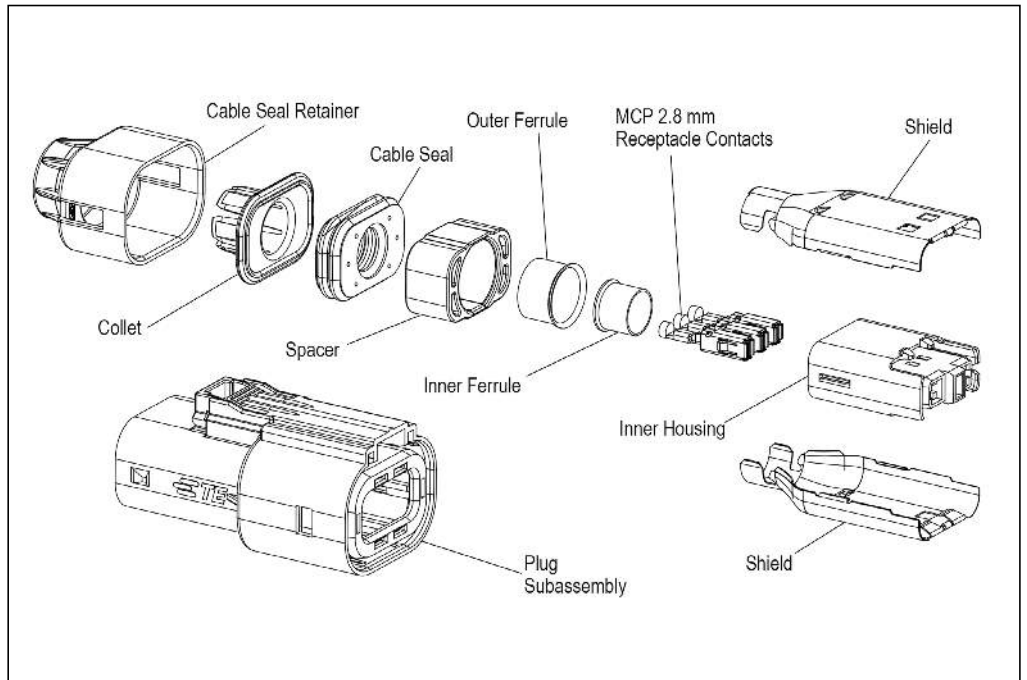
108-32077

Application Specification:

114-32125



Drawing 2103533 *



* Drawing Number is NOT the Order Number!

Technical Features

Pin Number:

2(+2 HVIL)

Contact System:

2.8 mm AMP MCP

Conductor Cross-Sections:

2x4.0 mm² + 2x0.5 mm²,
mult-core shielded

Voltage Range:

850V DC

Operation Temperature:

-40 °C up to 140 °C

Current Carrying Capacity:

33A at 85 °C

IP rating:

Plugged: IP67, IP6k9k

Unplugged: IP2XB

HVIL:

Integrated, internal

Fire Classification:

HB

Vibration Level:

AK Severity 2 (body-sealed)
and V1

Product Specification:

108-32077

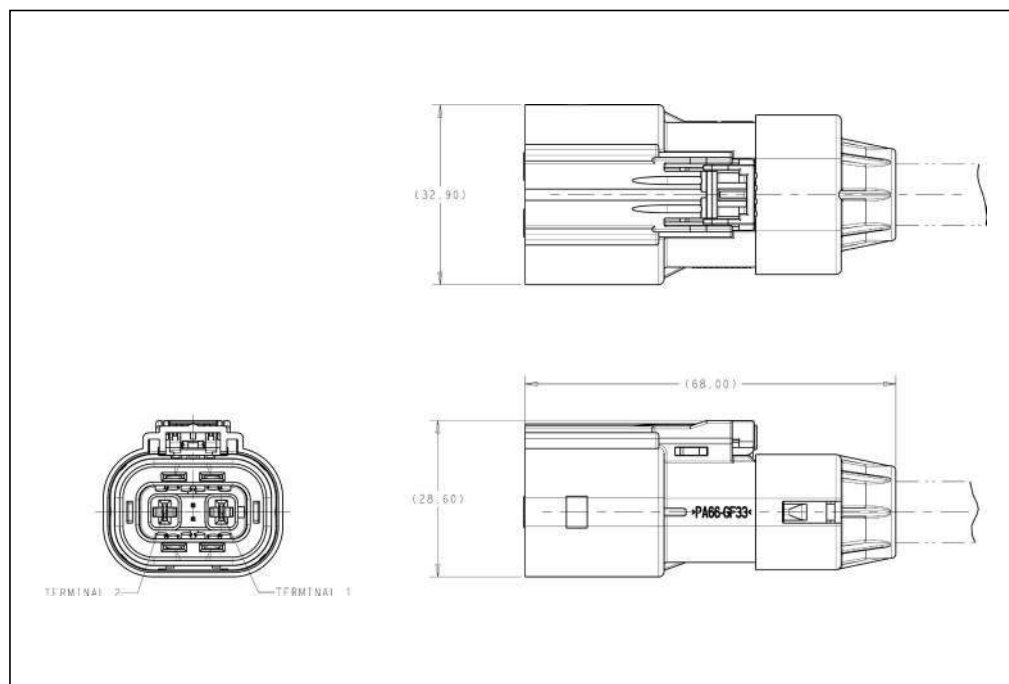
Application Specification:

114-32124

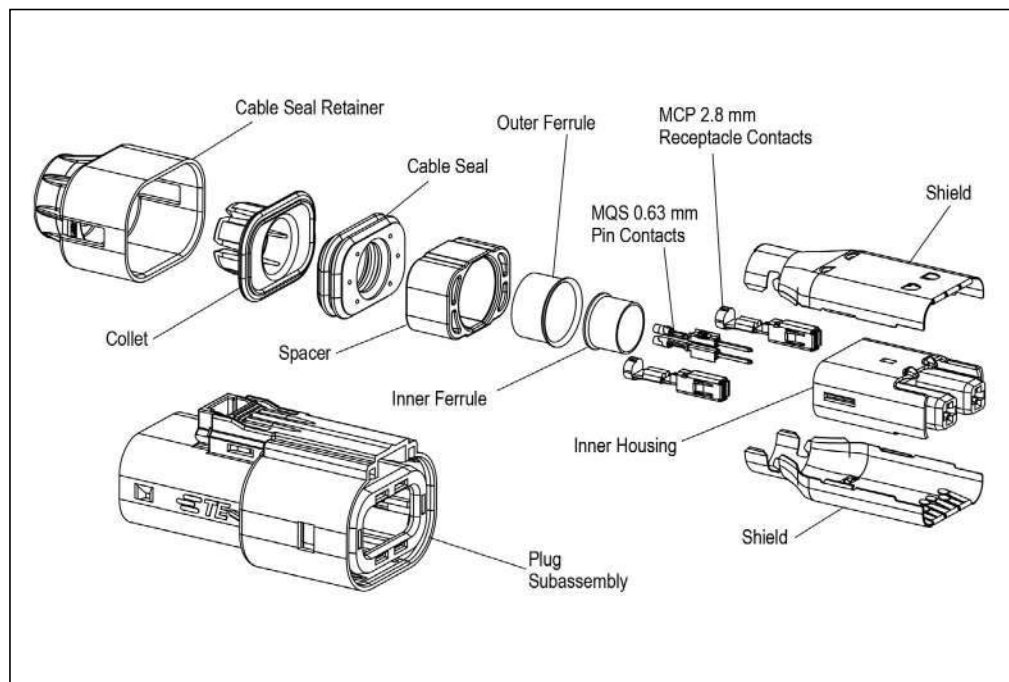
Available Keys:

A, B, D, E, F

AMP+ HVA 280 2PHM Pass-Through Plug (Single Click)



Drawing 2103531 *

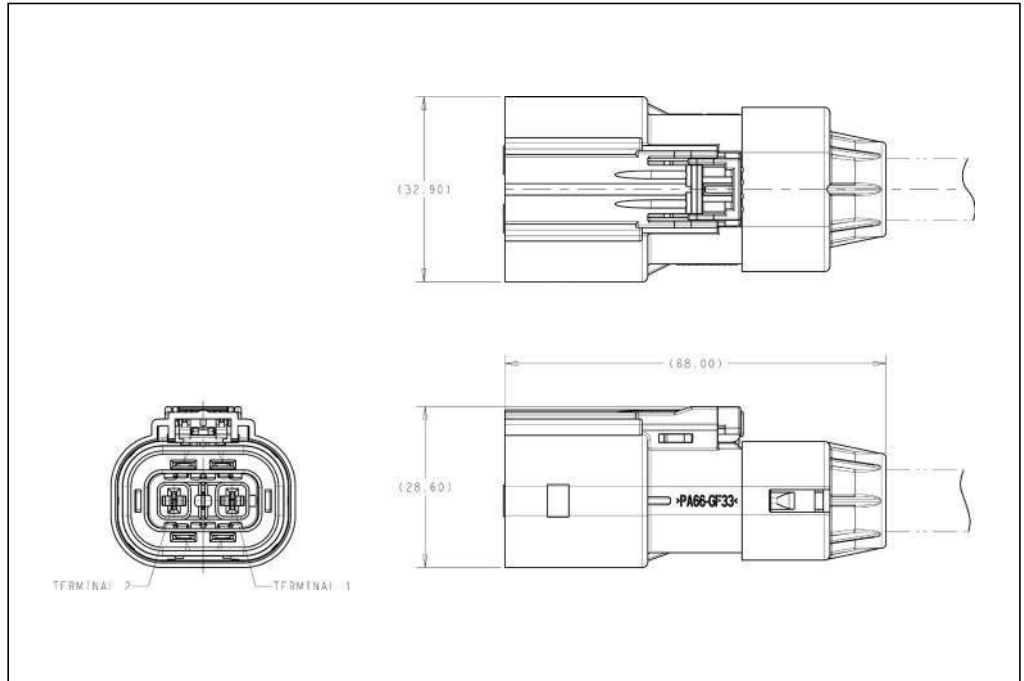


* Drawing Number is NOT the Order Number!

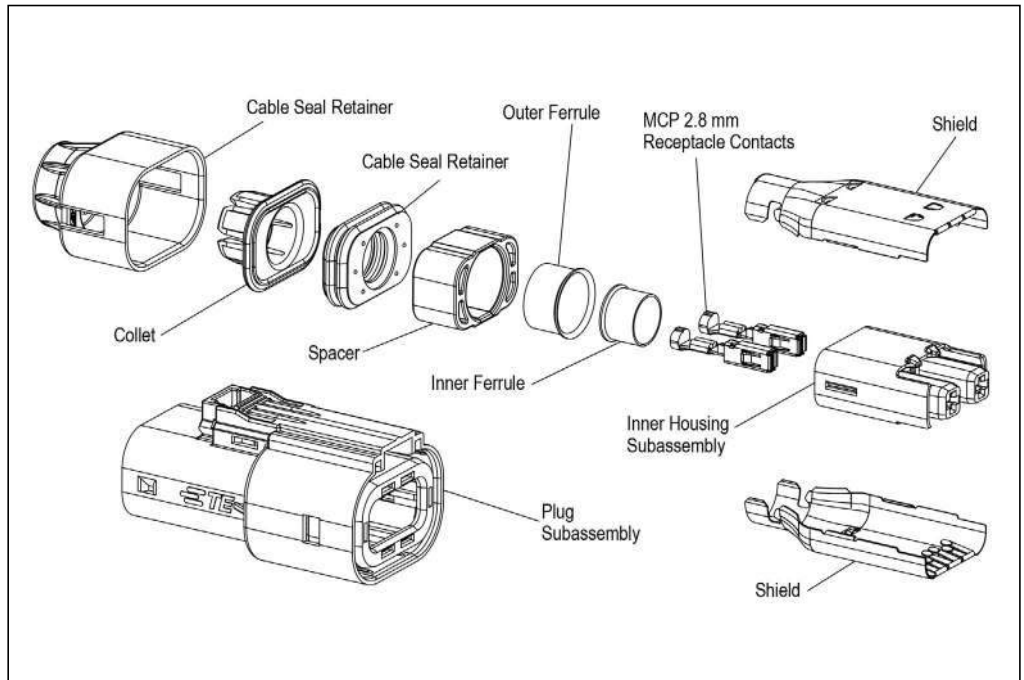
Technical Features

- Pin Number:**
2 (+2 HVIL)
- Contact System:**
2.8 mm AMP MCP
- Conductor Cross-Sections:**
2x4.0 mm², multi-core shielded
- Voltage Range:**
850V DC
- Operation Temperature:**
-40 °C up to 140 °C
- Current Carrying Capacity:**
33A at 85 °C
- IP rating:**
Plugged: IP67, IP6k9k
Unplugged: IP2XB
- HVIL:**
Integrated, internal
- Fire Classification:**
HB
- Vibration Level:**
AK Severity 2 (body-sealed)
and V1
- Product Specification:**
108-32077
- Application Specification:**
114-32123
- Available Keys:**
A, B, D, E, F

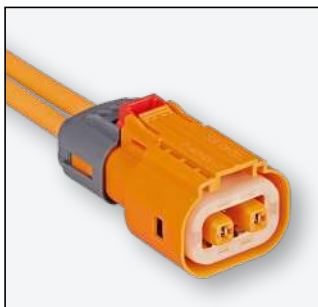
AMP+ HVA 280 2PHM Shunted Plug (Single Click)



Drawing 2103532 *



* Drawing Number is NOT the Order Number!



AMP+ HVA 280 2PHI XE Plug

Technical Features

Pin Number:

2 (+2 HVIL)

Contact System:

2.8 mm AMP MCP

Conductor Cross-Sections:

3.0 mm² and 4.0 mm²,
individually shielded

Voltage Range:

600V DC

Operation Temperature:

-40 °C up to 125 °C

Current Carrying Capacity:

40A at 85 °C

IP rating:

Plugged: IP67, IP6k9k

Unplugged: IP2XB

HVIL:

Integrated, internal

Fire Classification:

HB

Vibration Level:

V1

Product Specification:

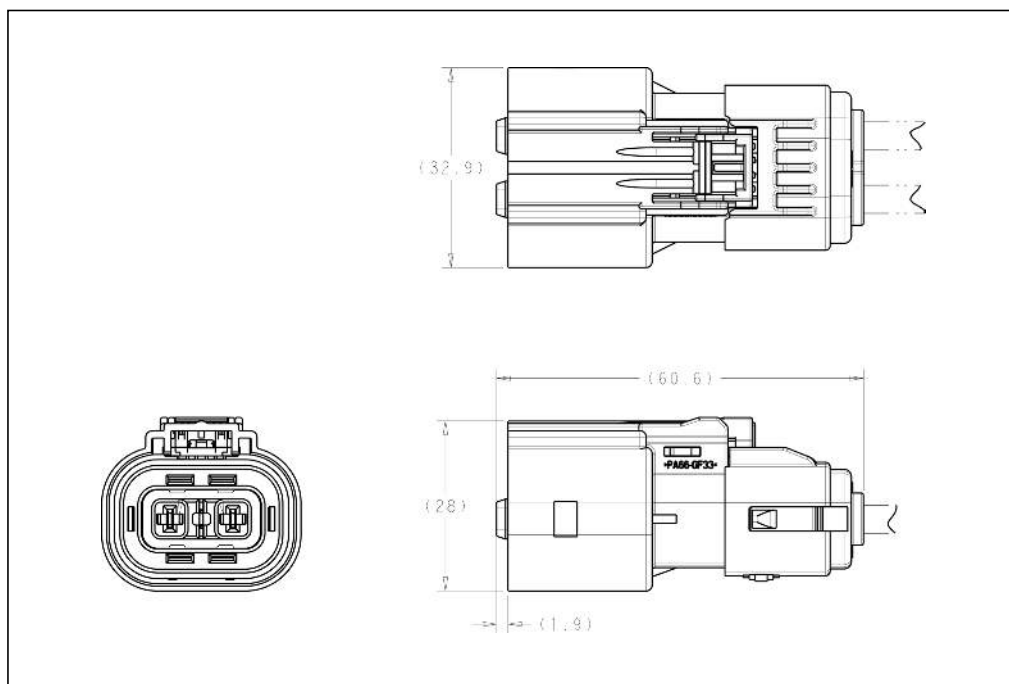
tbd

Application Specification:

tbd

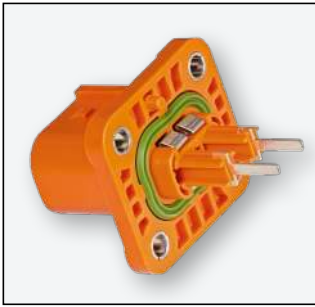
Available Keys:

A, B, D, E, F, G



Drawing 2103749 *

* Drawing Number is NOT the Order Number!



AMP+ HVA 280 2P Header – Stitched

Technical Features

Pin Number:

2 (+2 HVIL)

Contact System:

2.8mm AMP MCP

Conductor Cross-Sections:

4 mm²

Tab Size:

0.8 x 2.8 mm

Voltage Range:

up to 850V DC
(depends on the mating plug)

Operation Temperature:

-40 °C up to 140 °C

Current Carrying Capacity:

40A at 85 °C

IP rating:

Plugged: IP67, IP6k9k
Unplugged: IP2XB

HVIL:

Integrated, internal

Fire Classification:

HB

Vibration Level:

V1

Product Specification:

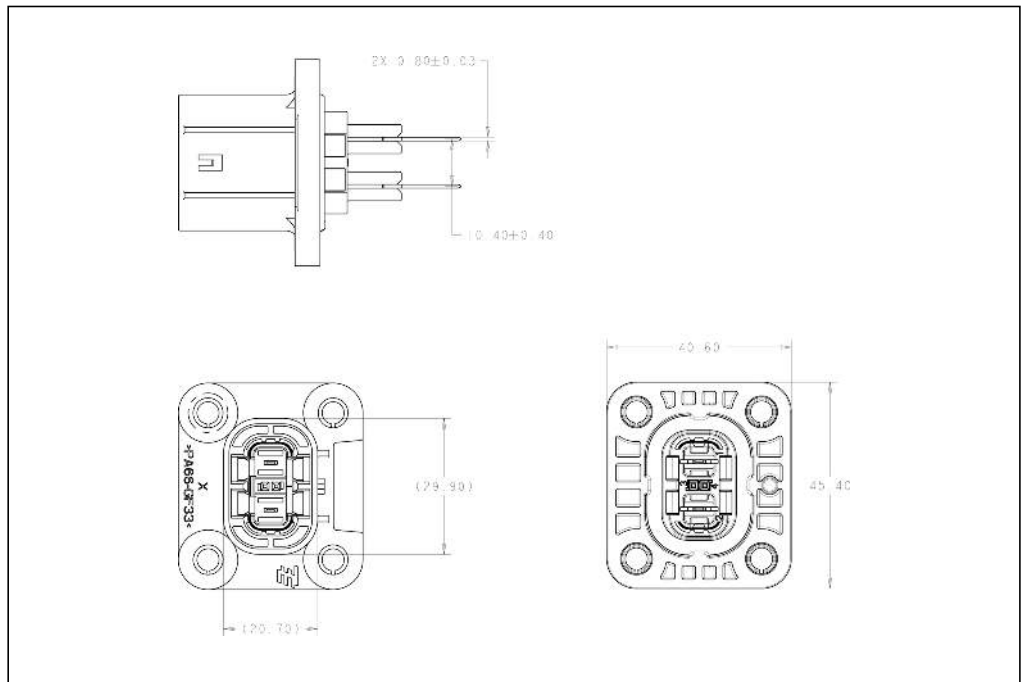
tbd

Application Specification:

408-10441

Available Keys:

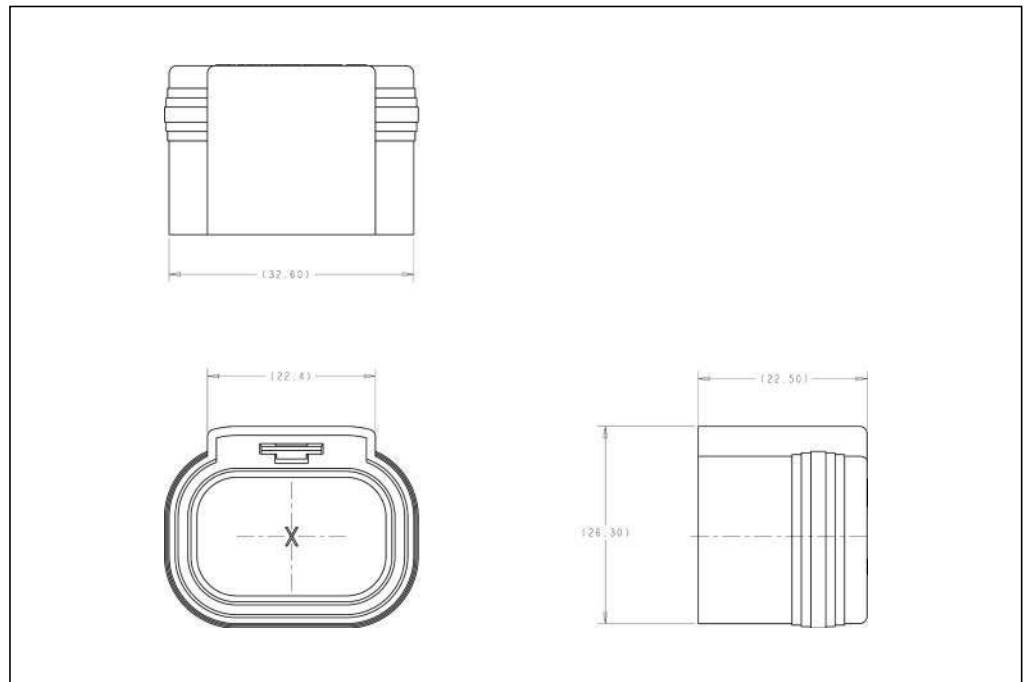
A, B, D, E, F



Drawing 2103396 *

* Drawing Number is NOT the Order Number!

AMP+ HVA 280 Shipping Caps



Drawing 1587733 *
Shipping caps fit TE standard headers

* Drawing Number is NOT the Order Number!