



Key Features

- Continuous current up to 135 A
- Load voltage up to 450 VDC ¹⁾
- Short circuit carry capability 2,000 A
- Available in side mount or bottom mount configuration
- Customized connections available

Typical Applications

- Main contactor, precharge and auxiliary relay for hybrid and electric vehicles

Contact Data

Contact arrangement:

1 Form X (NO DM)

Rated voltage:

450 VDC ^{*)}

Limiting cont. current at 85°C:

250 A

Limiting making / breaking current:

50 A / 50 A (>50,000 ops.)

Short term current rating:

(1 min) 400 A

Short circuit carry current:

2,000 A

Operate /release time max. (typ.):

25 ms / 10 ms

Coil Data

Rated coil voltage / power:

12 VDC, 24 VDC

Rated coil power (+23°C):

5.5 W (standard version),
 9.5 W (low pull-in version)

Coil resistance (+20°C):

26 Ω, 15.3 Ω, 3.8 Ω available for different pull-in voltages

Coil Data

Ambient temperature:

-40°C to +85°C

Category and degree of protection:

hermetically sealed

Terminal type and mounting:

stripped wires (coil) / M5 threaded inserts (load); screws

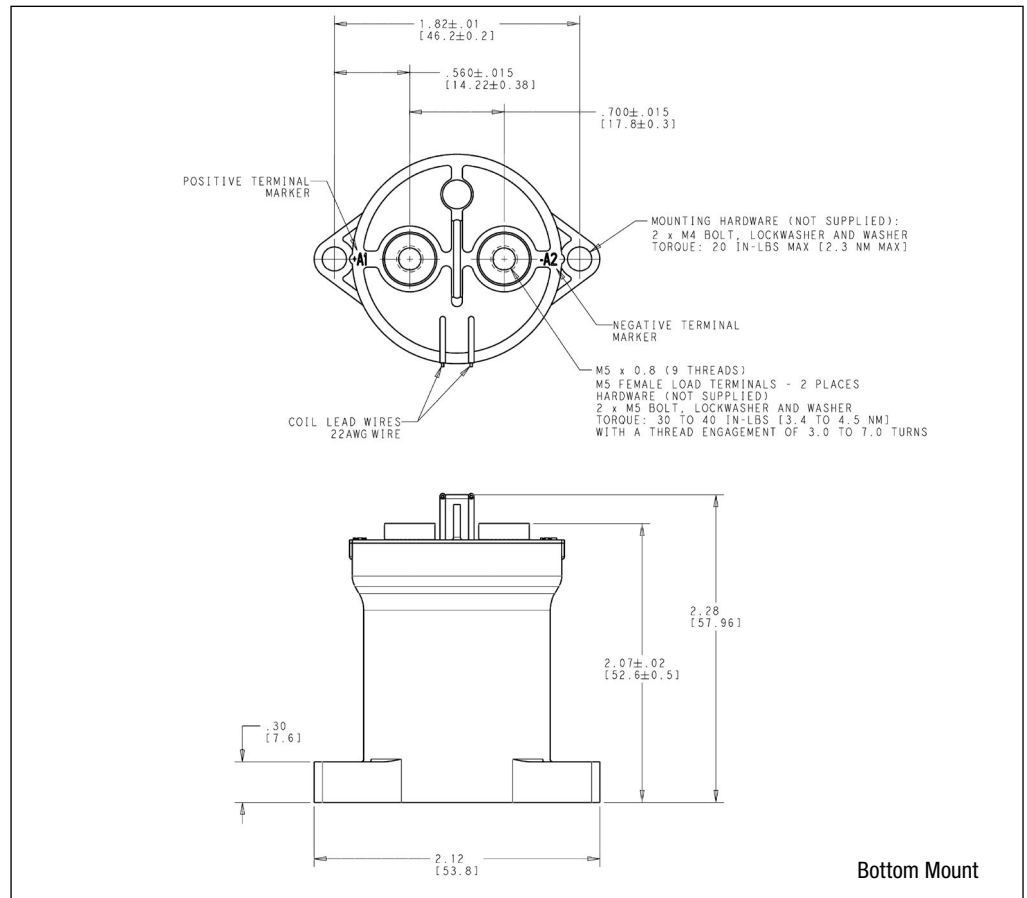
Dimensions LxWxH (approx.):

54.2 x 35.4 x 57.8 mm (2.1 x 1.4 x 2.3")

Weight (approx.):

180 g (6.3 oz)

EVC 135 Contactor



Ordering Information EVC 135 Contactor

| Product Code | Arrangement | Coil (VDC) | Econo-mization | Coil Suppr. | Rated Voltage (VDC) | Terminal Type | Mounting | Resis-tance | Part Number |
|---------------|------------------|------------|----------------|--------------------------|---------------------|-------------------------|----------|-------------|------------------------|
| | | | | | | | | | Asia Americas |
| EVC 135-4BNGA | 1 form X (NO DM) | 12 | Required | On request ¹⁾ | 450 | Stripped wires / Screws | Bottom | 15.3 Ω | 2219560-2 |
| | | | | | | | | | 2203194-1 |
| EVC 135-5ANGA | 1 form X (NO DM) | 12 | Optional | On request ¹⁾ | 450 | Stripped wires / Screws | Bottom | 26 Ω | 2219560-7 |
| | | | | | | | | | 2138622-1 |
| EVC 135-7BNGA | 1 form X (NO DM) | 24 | Optional | On request ¹⁾ | 450 | Stripped wires / Screws | Bottom | 96 Ω | 2219560-4 2138602-1 |
| EVC 135-4BNHA | 1 form X (NO DM) | 12 | Required | On request ¹⁾ | 450 | Stripped wires / Screws | Side | 15.3 Ω | 2138168-1 |
| EVC 135-5BNGA | 1 form X (NO DM) | 12 | Optional | On request ¹⁾ | 450 | Stripped wires / Screws | Bottom | 26 Ω | 2219560-3 |
| | | | | | | | | | 2098371-1 |
| EVC 135-6BNGA | 1 form X (NO DM) | 12 | Required | On request ¹⁾ | 450 | Stripped wires / Screws | Bottom | 3.8 Ω | 2219560-1 |
| | | | | | | | | | 2138084-1 |

1) Consult TE Connectivity for higher voltages. For details please refer to datasheet.