

ATEX SWITCHES SAFETY SWITCHES / ISOLATORS 16-160 A

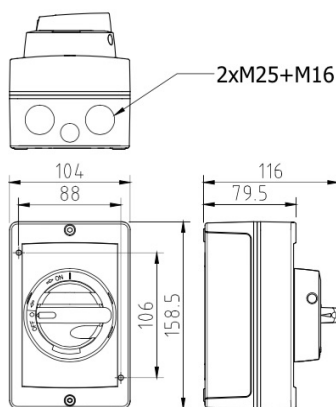


- Conforming to Directive 2014/34/EU, EN 60079-0 (2012), EN 60079-31 (2014)
- Suitable for use in Zone 22 (Category 3D)
- IP66
- Frontal impact test of 7 J
- Available in aluminium and stainless steel
- Available in yellow/red: Add Y/R at the end of product code
- Padlockable
- Door interlock with defeat mechanism
- Separate ATEX-enclosures upon request
- ATEX cable glands included

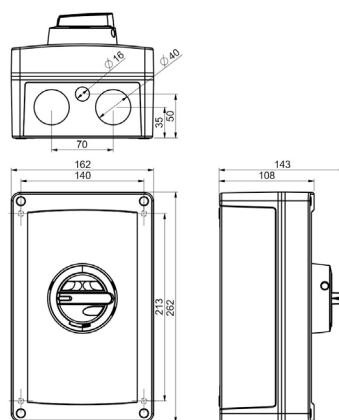


ATEX

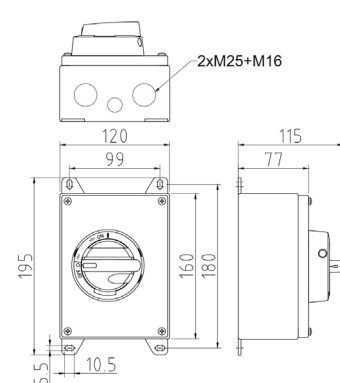
A2EX



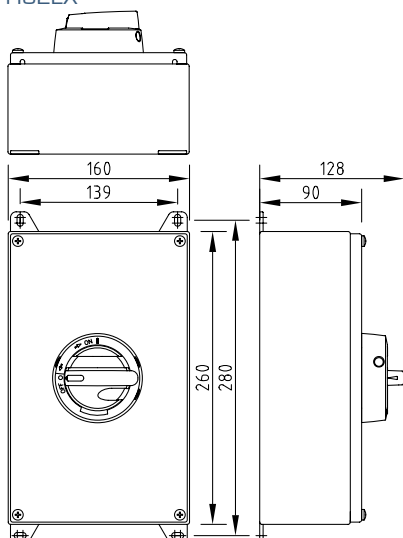
A3EX



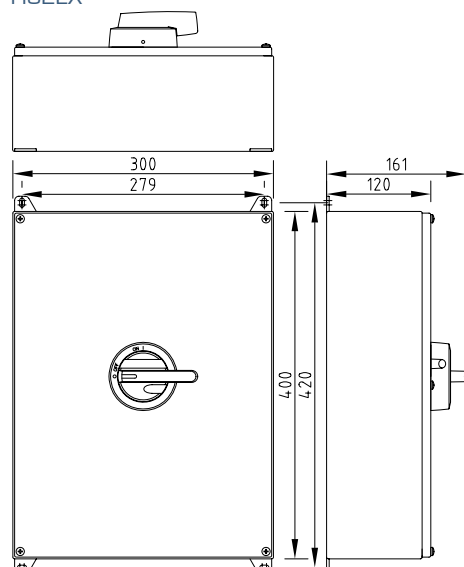
H23EX



H32EX



H02EX



Data subject to change without notice

ATEX SWITCHES SAFETY SWITCHES / ISOLATORS 16-160 A

Type	AC-21		AC-22	AC-23		AC-23	AC-23	690 V	EAN-Code	Enclosure	Cable glands	Weight kg
	400 V	415 V		400 V	415 V							
	690 V		690 V		P / kW	P / kW	P / kW	P / kW	6419410.....			
Aluminium enclosures												
3-pole												
KEA 316U EX	25 A		16 A		16 A	7.5 kW	16 A	11 kW	...305508	A2EX	2xM25	0.9
KEA 325U EX	40 A		25 A		25 A	11 kW	25 A	22 kW	...305515	A2EX	2xM25	0.9
KEA 340U EX	63 A		40 A		40 A	22 kW	32 A	30 kW	...305522	A2EX	2xM25	0.9
KEA 363U EX	80 A		63 A		40 A	22 kW	40 A	37 kW	...305560	A3EX	2xM40	2.3
KEA 380U EX	100 A		80 A		63 A	30 kW	40 A	37 kW	...305577	A3EX	2xM40	2.3
KEA 3100U EX	125 A		100 A		100 A	55 kW	63 A	55 kW	...315422	A3EX	2xM40	3.8
KEA 3125U EX	160 A		125 A		125 A	55 kW	80 A	75 kW	...305584	A3EX	2xM40	3.8
KEA 3160U EX	160 A		160 A		160 A	90 kW	100 A	90 kW	...305591	A3EX	2xM40	3.8
4-pole												
KEA 416U EX	25 A		16 A		16 A	7.5 kW	16 A	11 kW	...305539	A2EX	2xM25	1
KEA 425U EX	40 A		25 A		25 A	11 kW	25 A	22 kW	...305546	A2EX	2xM25	1
KEA 440U EX	63 A		40 A		40 A	22 kW	32 A	30 kW	...305553	A2EX	2xM25	1
KEA 463U EX	80 A		63 A		40 A	22 kW	40 A	37 kW	...305607	A3EX	2xM40	2.4
KEA 480U EX	100 A		80 A		63 A	30 kW	40 A	37 kW	...305614	A3EX	2xM40	2.4
KEA 4100U EX	125 A		100 A		100 A	55 kW	63 A	55 kW	...315439	A3EX	2xM40	3.9
KEA 4125U EX	160 A		125 A		125 A	55 kW	80 A	75 kW	...305621	A3EX	2xM40	3.9
KEA 4160U EX	160 A		160 A		160 A	90 kW	100 A	90 kW	...305638	A3EX	2xM40	3.9
6-pole												
KEA 616U EX	25 A		16 A		16 A	7.5 kW	16 A	11 kW	...306208	A3EX	4xM25	2.6
KEA 625U EX	40 A		25 A		25 A	11 kW	25 A	22 kW	...306215	A3EX	4xM25	2.6
KEA 640U EX	63 A		40 A		40 A	22 kW	32 A	30 kW	...306222	A3EX	2xM40	2.6
KEA 663U EX	80 A		63 A		40 A	22 kW	40 A	37 kW	...306239	A3EX	2xM40	2.6
KEA 680U EX	100 A		80 A		63 A	30 kW	40 A	37 kW	...306246	A3EX	2xM40	2.6
8-pole												
KEA 816U EX	25 A		16 A		16 A	7.5 kW	16 A	11 kW	...306253	A3EX	4xM25	2.7
KEA 825U EX	40 A		25 A		25 A	11 kW	25 A	22 kW	...306260	A3EX	4xM25	2.7
KEA 840U EX	63 A		40 A		40 A	22 kW	32 A	30 kW	...306277	A3EX	2xM40	2.7
KEA 863U EX	80 A		63 A		40 A	22 kW	40 A	37 kW	...306284	A3EX	2xM40	2.7
KEA 880U EX	100 A		80 A		63 A	30 kW	40 A	37 kW	...306291	A3EX	2xM40	2.7
Stainless steel enclosures												
3-pole												
KER 316 EX	25 A		16 A		16 A	7.5 kW	16 A	11 kW	...305645	H23EX	2xM25	1.3
KER 325 EX	40 A		25 A		25 A	11 kW	25 A	22 kW	...305652	H23EX	2xM25	1.3
KER 340 EX	63 A		40 A		40 A	22 kW	32 A	30 kW	...305669	H23EX	2xM25	1.3
KER 363 EX	80 A		63 A		40 A	22 kW	40 A	37 kW	...305706	H32EX	2xM32	2.5
KER 380 EX	100 A		80 A		63 A	30 kW	40 A	37 kW	...305713	H32EX	2xM32	2.5
KER 3100 EX	125 A		100 A		100 A	55 kW	63 A	55 kW	...315446	H02EX	2xM40	7.2
KER 3125 EX	160 A		125 A		125 A	55 kW	80 A	75 kW	...305720	H02EX	2xM40	7.2
KER 3160 EX	160 A		160 A		160 A	90 kW	100 A	90 kW	...305737	H02EX	2xM40	7.2
4-pole												
KER 416 EX	25 A		16 A		16 A	7.5 kW	16 A	11 kW	...305676	H23EX	2xM25	1.4
KER 425 EX	40 A		25 A		25 A	11 kW	25 A	22 kW	...305683	H23EX	2xM25	1.4
KER 440 EX	63 A		40 A		40 A	22 kW	32 A	30 kW	...305690	H23EX	2xM25	1.4
KER 463 EX	80 A		63 A		40 A	22 kW	40 A	37 kW	...305744	H32EX	2xM32	2.6
KER 480 EX	100 A		80 A		63 A	30 kW	40 A	37 kW	...305751	H32EX	2xM32	2.6
KER 4100 EX	125 A		100 A		100 A	55 kW	63 A	55 kW	...315453	H02EX	2xM40	7.3
KER 4125 EX	160 A		125 A		125 A	55 kW	80 A	75 kW	...305768	H02EX	2xM40	7.3
KER 4160 EX	160 A		160 A		160 A	90 kW	100 A	90 kW	...305775	H02EX	2xM40	7.3
6-pole												
KER 616 EX	25 A		16 A		16 A	7.5 kW	16 A	11 kW	...306406	H32EX	2xM25	2.6
KER 625 EX	40 A		25 A		25 A	11 kW	25 A	22 kW	...306413	H32EX	2xM25	2.6
KER 640 EX	63 A		40 A		40 A	22 kW	32 A	30 kW	...306420	H32EX	2xM25	2.6
KER 663 EX	80 A		63 A		40 A	22 kW	40 A	37 kW	...306437	H32EX	2xM32	2.7
KER 680 EX	100 A		80 A		63 A	30 kW	40 A	37 kW	...306444	H32EX	2xM32	2.7
KER 6100 EX	125 A		100 A		100 A	55 kW	63 A	55 kW	...315460	H02EX	4xM40	7.6
KER 6125 EX	160 A		125 A		125 A	55 kW	80 A	75 kW	...306505	H02EX	4xM40	7.6
KER 6160 EX	160 A		160 A		160 A	90 kW	100 A	90 kW	...306512	H02EX	4xM40	7.6
8-pole												
KER 816 EX	25 A		16 A		16 A	7.5 kW	16 A	11 kW	...306451	H32EX	2xM25	2.7
KER 825 EX	40 A		25 A		25 A	11 kW	25 A	22 kW	...306468	H32EX	2xM25	2.7
KER 840 EX	63 A		40 A		40 A	22 kW	32 A	30 kW	...306475	H32EX	2xM32	2.8
KER 863 EX	80 A		63 A		40 A	22 kW	40 A	37 kW	...306482	H32EX	2xM32	2.8
KER 880 EX	100 A		80 A		63 A	30 kW	40 A	37 kW	...306499	H32EX	2xM32	2.8
KER 8100 EX	125 A		100 A		100 A	55 kW	63 A	55 kW	...315477	H02EX	4xM40	7.8
KER 8125 EX	160 A		125 A		125 A	55 kW	80 A	75 kW	...306529	H02EX	4xM40	7.8
KER 8160 EX	160 A		160 A		160 A	90 kW	100 A	90 kW	...306536	H02EX	4xM40	7.8

Data subject to change without notice