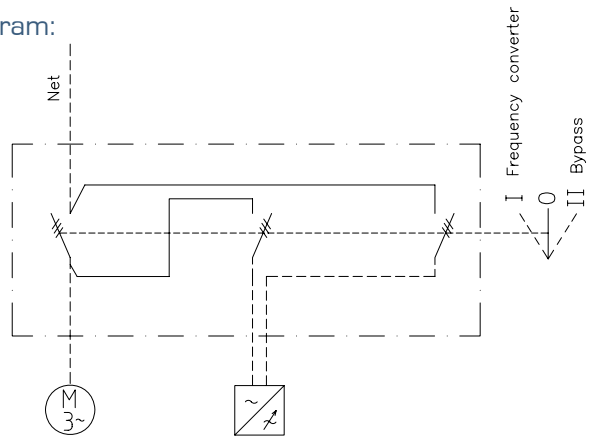


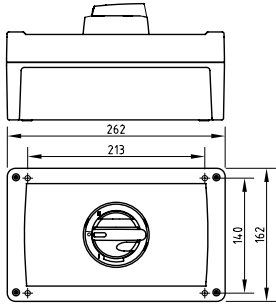
BYPASS SWITCH FOR FREQUENCY INVERTER 16-63 A



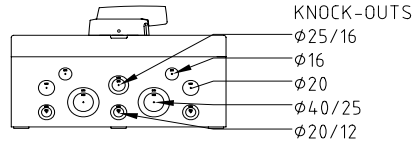
- Polycarbonate (IP65), sheet steel (IP65) or aluminium (IP66) enclosed
- R.M.S value 50kA
- Padlockable
- Door interlock with defeat mechanism
- Tested according to IEC 60 947-3
- CB certificates
- Circuit diagram:



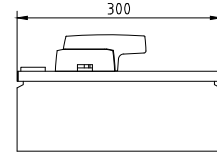
A3



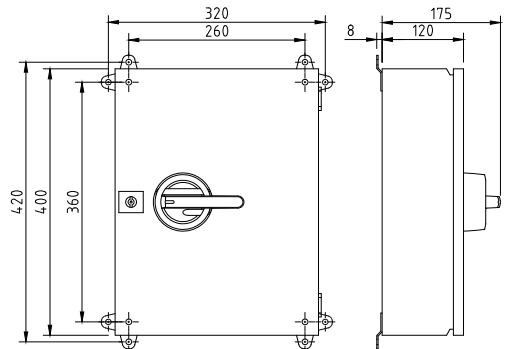
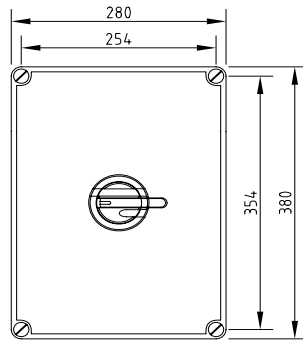
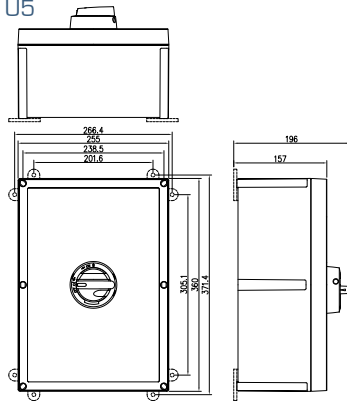
MF11



TRO2



U5



Type	AC-21		AC-22		AC-23		EAN-Code	Enclosure	Weight kg	
	400 V	415 V	400 V	415 V	400 V	415 V				
	690 V		690 V		690 V		6419410...			
	I _n / A	I _n / A	I _n / A	I _n / A	P / kW	I _n / A	P / kW			
Polycarbonate enclosures										
KUM 616/316 W.1-0-2 2xKU1.V	40 A		25 A	20 A	7.5 kW	20 A	15 kW	...301661	MF11	3.6
KUM 625/325 W.1-0-2 2xKU1.V	63 A		40 A	25 A	11 kW	25 A	22 kW	...302057	MF11	3.6
KUM 640/340 W.1-0-2 2xKU1.V	90 A		70 A	50 A	22 kW	32 A	30 kW	...302453	MF11	3.6
KUM 663/363 W.1-0-2 2xKU1.V	100 A		80 A	63 A	30 kW	40 A	37 kW	...302903	MF11	3.6
Sheet steel enclosures										
KUT 616/316 W.1-0-2 EMC 2xKU1.V	40 A		25 A	20 A	7.5 kW	20 A	15 kW	...311509	TRO2	8.5
KUT 625/325 W.1-0-2 EMC 2xKU1.V	63 A		40 A	25 A	11 kW	25 A	22 kW	...311554	TRO2	8.5
KUT 640/340 W.1-0-2 EMC 2xKU1.V	90 A		70 A	50 A	22 kW	32 A	30 kW	...311608	TRO2	8.5
KUT 663/363 W.1-0-2 EMC 2xKU1.V	100 A		80 A	63 A	30 kW	40 A	37 kW	...311653	TRO2	8.5
Aluminium enclosures										
TKA 616/316 V 2xSS EMC	16 A		16 A	16 A	7.5 kW	-	-	...311684	A3	3.1

Data subject to change without notice

Dalroad are authorised UK distributors of Katko safety switches and isolators. Contact Dalroad for further information on the Katko range on 01582 505 252 or email sales@dalroad.com.