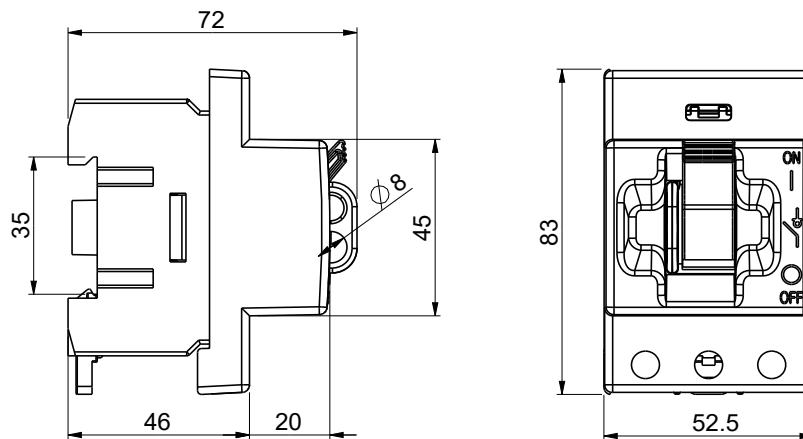


LOAD BREAK SWITCHES 16-125 A TOGGLE SWITCHES, KUE SERIES



- Compact size
- DIN-rail mounting
- 3-pole
- Switch technology by means of silver contacts ensures safe and durable operation
- Available with adapter to connect the switch to a three-phase section rail. Three different connection heights
- Available with yellow front plate and red toggle add "Y/R" at the end of the product code when ordering



Type	AC-21	400 V	AC-22	400 V	AC-23	400 V	AC-23	690 V	EAN-Code	Weight kg	
		415 V		415 V 1)		415 V					415 V
		690 V		690 V 2)		690 V					
	le / A		le / A		le / A	P / kW	le / A	P / kW	6419410...		
KUE 316	25 A		16 A		16 A	7,5 kW	16 A	11 kW	...200308	0.17	
KUE 325	40 A		25 A		25 A	11 kW	20 A	15 kW	...200407	0.17	
KUE 340	63 A		40 A		25 A	11 kW	20 A	15 kW	...200506	0.17	
KUE 363	80 A		63 A		40 A	22 kW	32 A	30 kW	...200605	0.18	
KUE 380	100 A		80 A		63 A	30 kW	32 A	30 kW	...200704	0.18	
KUE 3125	125 A		125 1) / 80 2) A		63 A	30 kW	32 A	30 kW	...200902	0.18	
KUE 316 + AD1 + K/KUE	25 A		16 A		16 A	7,5 kW	16 A	11 kW	...200322	0.21	
KUE 325 + AD1 + K/KUE	40 A		25 A		25 A	11 kW	20 A	15 kW	...200421	0.21	
KUE 340 + AD1 + K/KUE	63 A		40 A		25 A	11 kW	20 A	15 kW	...200520	0.21	
KUE 363 + AD1 + K/KUE	80 A		63 A		40 A	22 kW	32 A	30 kW	...200629	0.22	
KUE 380 + AD1 + K/KUE	100 A		80 A		63 A	30 kW	32 A	30 kW	...200728	0.22	
KUE 3125 + AD1 + K/KUE	125 A		125 1) / 80 2) A		63 A	30 kW	32 A	30 kW	...200834	0.22	
ADDITIONAL FRONT PLATES											
K/KUE									Rectangular front plate	...221808	0.02
R/KUE									Round front plate	...221907	0.02
K/KUE AD									Long front plate	...221815	0.02

Data subject to change without notice