

POWERTRAIN SYSTEMS



SAFETY & SECURITY SYSTEMS



CONVENIENCE



DRIVER INFORMATION



BODY & CHASSIS SYSTEMS



Fuse and Relay Box

INTRODUCTION

TE Connectivity proposes power distribution systems which combine several protection and/or switching functions, and include some functions electrically coupling together.

Fuse and Relay Holder – 6 Miniature Fuses

Applications

- Convenience harness
- Engine harness

Technical Features

- Compliant with Mini fuse and ATO fuse technology

Contact used:

Timer family

Housing Material:

PBT GF 10 or
PP GFM 25/15

Can contain up to:

- 2 Micro relays
- 1 Mini relay
- 2 Medium fuses
- 4 Miniature fuses
- 2 Diodes or miniature fuses

Temperature Class:

-40° C to +100° C

Vibration Class:

3G

Sealed / Unsealed:

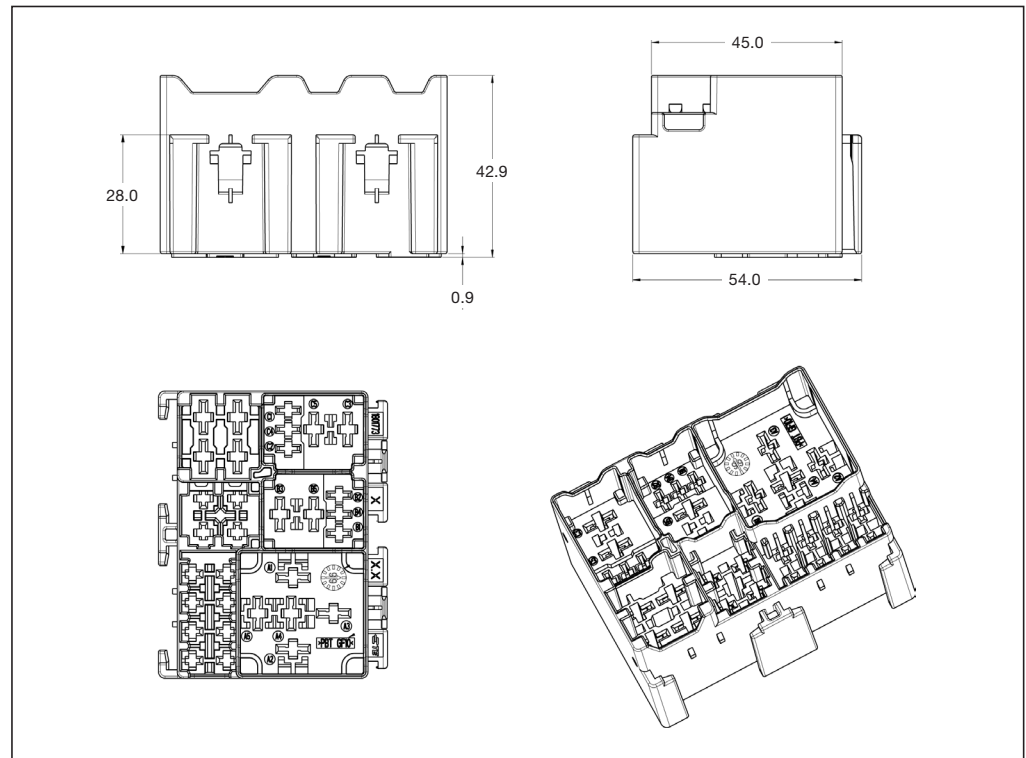
Unsealed

Product Specification:

108-15406

Application Specification:

408-15009



Can be used as stand-alone module or in association with:

- PN 1801616
- PN 1801618
- PN 1801619
- PN 1801620
- PN 1801764
- PN 1801627

Fuse and Relay Holder – 6 Miniature Fuses

Part Number	Housing Color	Material	Mating Contacts	Wire Size Range (mm ²)	
1801773-1	Black	PBT GF10	JPT Receptacle	964280-2	0.2 – 0.5
				964284-2	0.5 – 1.0
				965999-2	1.0 – 2.5
				1241978-2	2.5 – 4.0
1801617-1		PP GFM 25/15	SPT Receptacle	927831-2	0.5 – 1.0
				144617-1	1.0 – 3.0
				144433-1	3.0 – 5.0

Fuse and Relay Holder – 36 Miniature Fuses

Applications

- Convenience harness
- Engine harness
- Switching and protection device

Technical Features

- Compliant with Minifuse and ATO fuse technology
- 4 sets of 4 minitature fuses with common power supply

Contact used:

Timer family, shorting busbar

Housing Material:

PBT GF 10

Can contain up to:

- 36 Miniature fuses
- 3 Medium fuses
- 2 Mini relay
- 4 Shorting busbars

Temperature Class:

-40 °C to +100 °C

Vibration Class:

3G

Sealed / Unsealed:

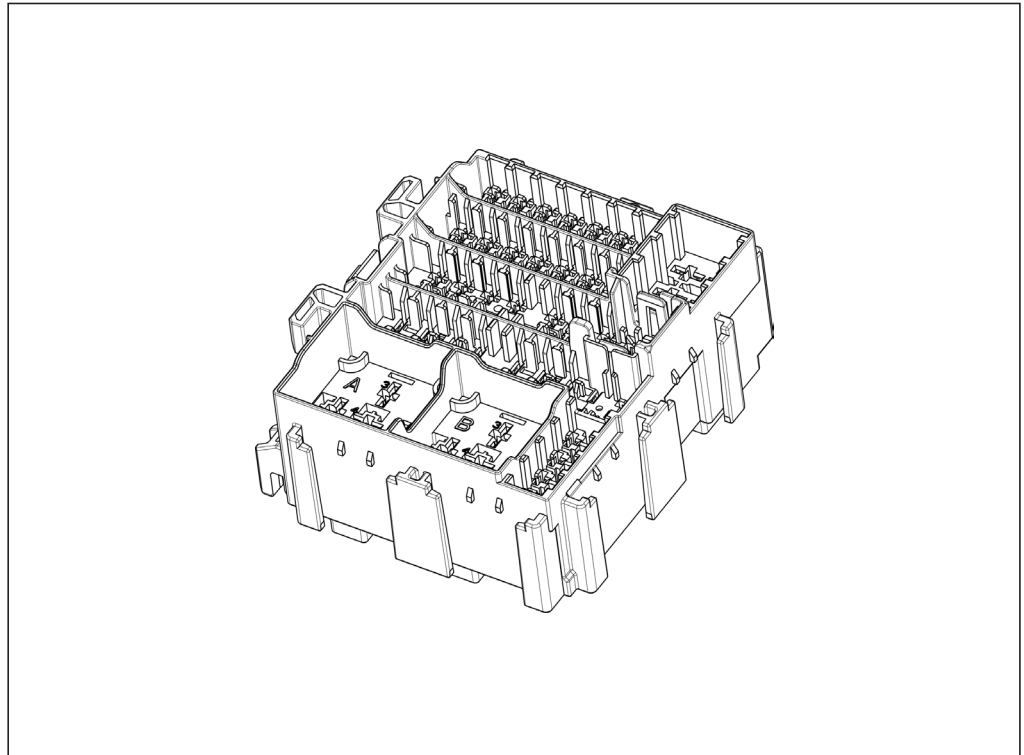
Unsealed

Product Specification:

108-15406

Application Specification:

408-15007



Fuse and Relay Holder – 36 Miniature Fuses

Part Number	Housing Color	Material	Mating Contacts	Wire Size Range (mm ²)	Shorting Busbar	Wire Size Range (mm ²)
1801764-1	Black	PBT GF10	Receptacle	JPT 964280-2	0.2 – 0.5	1801614-3 1801614-4
				JPT 964284-2	0.5 – 1.0	
			Receptacle	965999-2	1.0 – 2.5	
				1241978-2	2.5 - 4.0	
			SPT Receptacle	927831-2	0.5 – 1.0	
				144617-1	1.0 – 3.0	
144433-1	3.0 – 5.0					

Can be used as stand-alone module or in association with:

- PN 1801616
- PN 1801617
- PN 1801618
- PN 1801619
- PN 1801620
- PN 1801627
- PN 1801773

Medium Fuse Holder - 5 Positions

Applications

- Convenience harness
- Engine harness

Technical Features

- Busbar technology supplying up to 5 Medium fuses
- Compliant with ATO fuse technology
- Detection of partially inserted receptacle

Contact used:

SPT family
NG family

Housing Material:

PBT GF 10

Can contain up to:

5 Medium fuses

Temperature Class:

-40° C to +100° C

Vibration Class:

3G

Sealed / Unsealed:

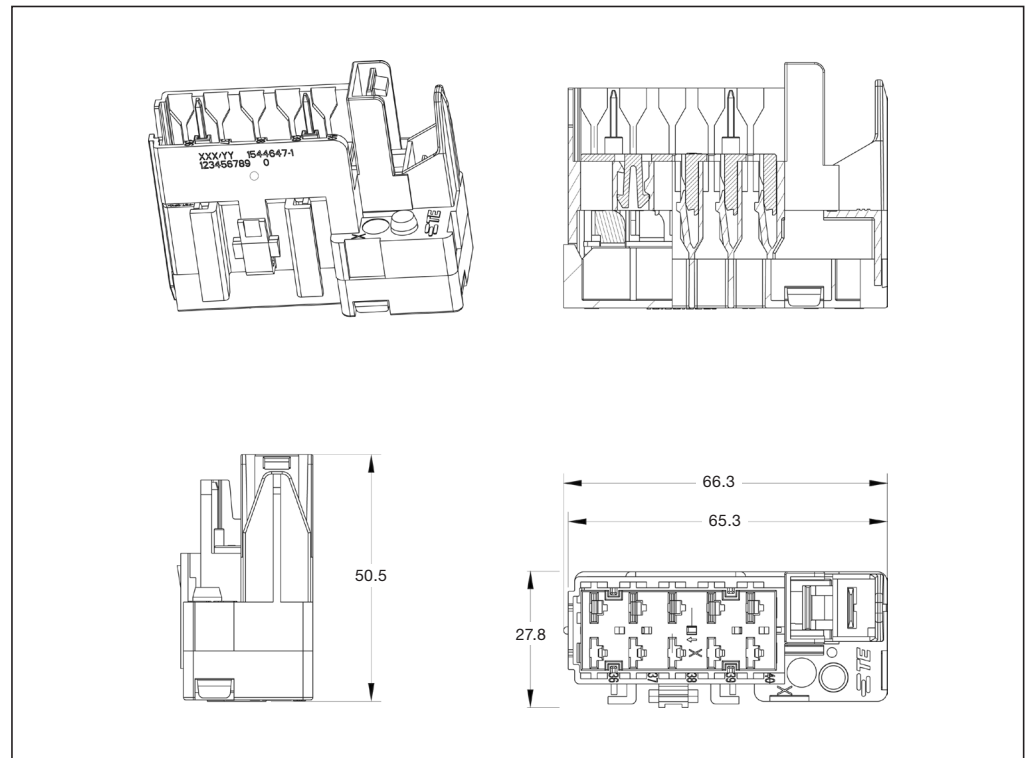
Unsealed

Product Specification:

108-15332

Application Specification:

411-15678



Fuse and Relay Holder – 6 Miniature Fuses

Part Number	Housing Color	Material	Package Quantity	Mating Contacts (6.3mm Terminals)	Part Number	Crimping Range (mm ²)
1544647-1	Black	PBT, UL 94-HB rated	305	Clip 8mm with safety lock	1544128-1	6.0 – 10.0
				Rec Housing 8mm with safety lock	1544129-1	2.0 – 10.0

Medium Fuse Holder - 12 Positions

Applications

- Convenience harness
- Engine harness

Technical Features

- Busbar technology supplying up to 5 Medium fuses
- Compliant with ATO fuse technology
- Detection of partially inserted receptacle

Contact used:

SPT family
NG family

Housing Material:

PBT GF 10

Can contain up to:

12 Medium fuses

Temperature Class:

-40°C to +100°C

Vibration Class:

3G

Sealed / Unsealed:

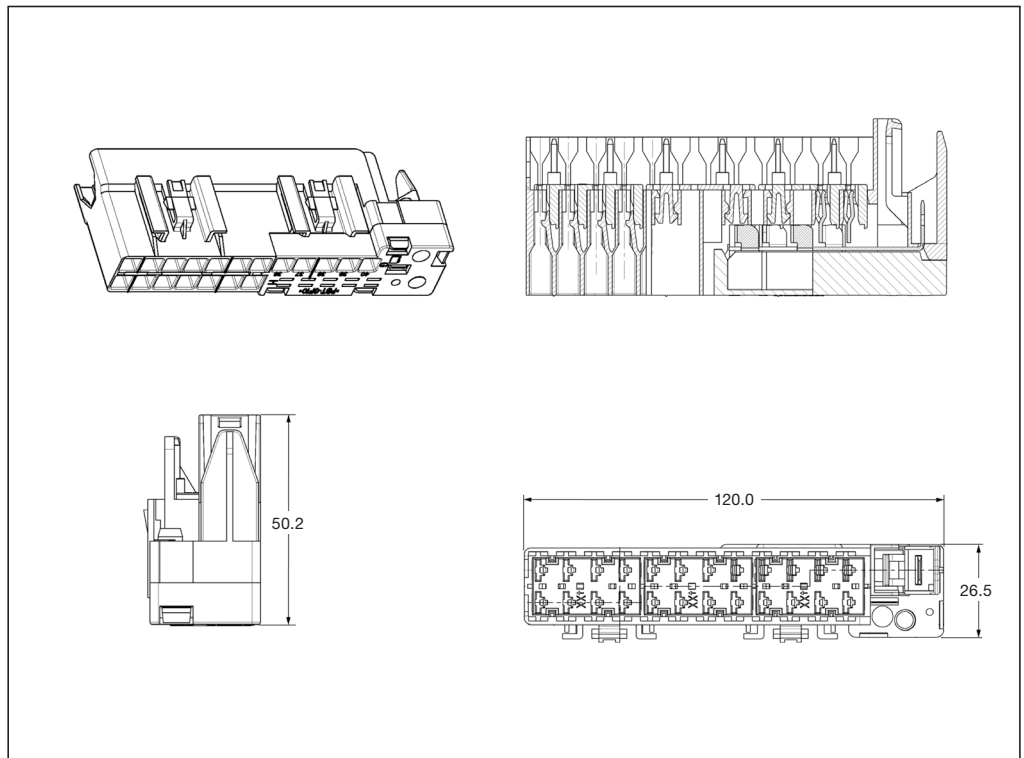
Unsealed

Product Specification:

108-15332

Application Specification:

411-15678



Fuse and Relay Holder – 6 Miniature Fuses

Part Number	Housing Color	Material	Package Quantity	Mating Contacts (6.3mm Terminals)	Part Number	Crimping Range (mm ²)
1544266-1	Black	PBT, UL 94-HB rated	182	Clip 8mm with safety lock	1544128-1	6.0 – 10.0
				Rec Housing 8mm with safety lock	1544129-1	2.0 – 10.0