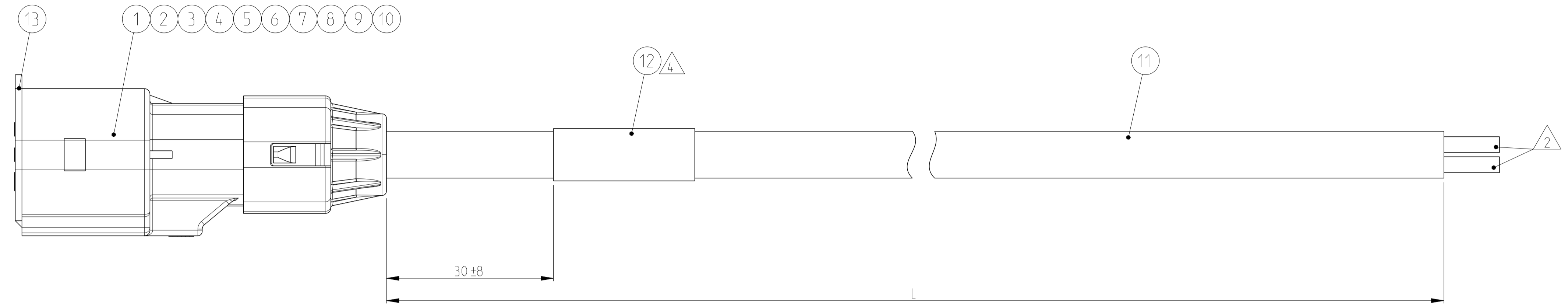


THE DRAWING SHOWS THE 2-DIMENSIONAL REFERENCE COMPONENT CONDITION OF THE ASSEMBLY TO IDENTIFY AND SPECIFY THE NECESSARY DIMENSIONS ONLY. THE DELIVERED PARTS MAY DEVIATE FROM THE DRAWING REGARDING THE ORIENTATION AND POSITION OF EACH COMPONENT (e.g. SLACK CABLE), SO FAR THE FUNCTIONALITY IS NOT CONCERNED.

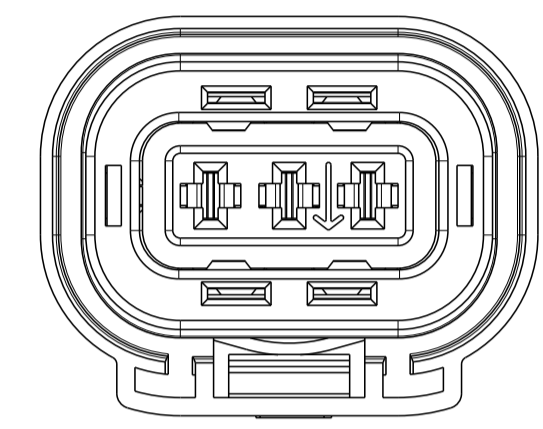
DIE ZEICHNUNG ZEIGT DEN 2-DIMENSIONALEN IDEALZUSTAND DES ZUSAMMENBAUTEILS BEZÜGLICH DER KOMPONENTEN ZUR IDENTIFIKATION UND SPEZIFIKATION DER NOTWENDIGEN DIMENSIONEN. HINSICHTLICH DER ORIENTIERUNG UND DER LAGE DER KOMPONENTEN (Z.B. BIEGESCHLAPPE KABEL) KÖNNEN DIE GELIEFERTEN TEILE VON DER ZEICHNUNG ABWEICHEN, SOFERN DIE FUNKTIONALITÄT NICHT BEEINTRÄCHTIGT IST.

PROJEKT NR.: PRJ-10-000003142

REV.	LTN	DESCRIPTION	DATE	DWN	APVD
C1		DELETING AND OBSOLETE UNUSED VARIANTS	17FEB2016	DS	JJ



VIEW WITHOUT ITEM 13
Ansicht ohne Pos. 13



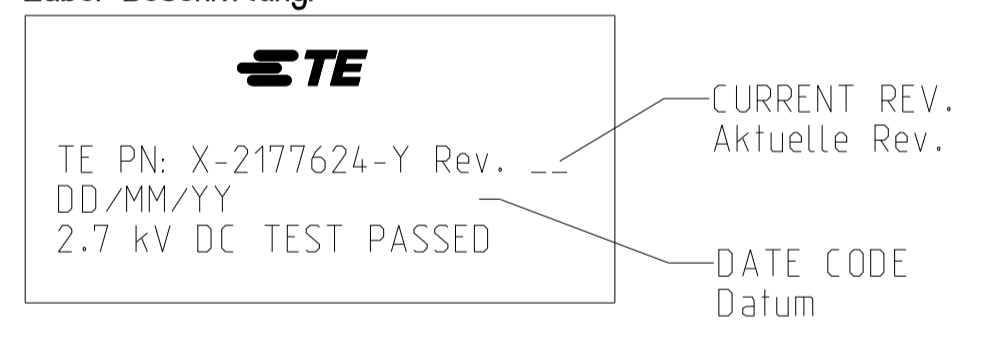
WIRING SCHEDULE
Belegung

CAVITY-NO. SIDE A	WIRE COLOUR
1	red
2	-
3	black

LENGTH SCHEDULE:
Laengentabelle:

TE PART NO.	REV.	LENGTH L (mm)	TOL. (mm)	CODING
1-2177624-0	C	500	+30	A
1-2177624-1	C	1000	+30	
1-2177624-2	C	2000	+35	
1-2177624-3	C	3000	+40	
1-2177624-4	C	4000	+50	
1-2177624-5	C	5000	+60	B
2-2177624-2	C	2000	+35	
2-2177624-4	C	4000	+50	

△ LABEL LEGEND:
Label Beschriftung:



NOTES

- 1 PACKAGING: ASSEMBLIES PACKED IN TE STANDARD BOXES WITH INTERMEDIATE LAYERS OF CORRUGATED PAPER OR PAPER STUFFING (TE SPEC. 107-18032). DAMAGED TO BE AVOIDED.
- 2 ELECTRICAL TEST ACCORDING TO SPECIFICATION 108-18857, CHAPTER 3.3. USE CURRENT REVISION ALWAYS. MIN. 10 mm STRIPPING OF OUTER JACKET AND BRAID FOR ELECTRICAL TEST PURPOSE.
- 3 TE PRODUCT SPECIFICATION: 108-18513 (MCP 2.8) 108-2395 (HVA280-3PM CONNECTOR)
- 4 MANUFACTURING CODE: TE PART NO., CURRENT REV. LEVEL AND DATE CODE (DD.MM.YY). TO BE PRINTED ON LABEL (ITEM 12). LABEL TO BE APPLIED TO THE CABLE AFTER SUCCESSFUL ELECTRICAL TEST.

QTY	QTY	QTY	QTY	QTY	QTY	QTY	QTY	QTY	QTY	DESCRIPTION	ITEM NO.
2-4	2-2	1-5	1-4	1-3	1-2	1-1	1-1	1-1	1-0		
1	1	1	1	1	1	1	1	1	1	SHIPPING CAP. PLUG. HVA280-3PM	13
1	1	1	1	1	1	1	1	1	1	LABEL. HELL. TYP 323. 25.4 x 57.1 mm	12
-	-	-	-	-	-	-	-	-	-	2 POS. POWER CABLE. 2x2.5mm ² . HYBRID. OR	11
1	1	1	1	1	1	1	1	1	1	CABLE SEAL RETAINER. SIZE A. HVA280-3PM	10
1	1	1	1	1	1	1	1	1	1	COLLET. SIZE B. HVA280	9
1	1	1	1	1	1	1	1	1	1	CABLE SEAL. SIZE B. HVA280-3PM	8
1	1	1	1	1	1	1	1	1	1	SPACER. SIZE A. HVA280-3PM	7
1	1	1	1	1	1	1	1	1	1	OUTER FERRULE. SIZE A. HVA280-3PM	6
1	1	1	1	1	1	1	1	1	1	INNER FERRULE. SIZE A. HVA280-3PM	5
2	2	2	2	2	2	2	2	2	2	MCP-2.8 SOCKET CONTACT	4
2	2	2	2	2	2	2	2	2	2	SHIELD. PLUG. HVA280-3PM	3
1	1	1	1	1	1	1	1	1	1	INNER HOUSING. PLUG. HVA280-3PM	2
1	1	-	-	-	-	-	-	-	-	PLUG SUBASSY. NO HV1L. KEY B. HVA280-3PM	1
-	-	1	1	1	1	1	1	1	1	PLUG SUBASSY. NO HV1L. KEY A. HVA280-3PM	1
-	-	-	-	-	-	-	-	-	-	DESCRIPTION	ITEM NO.
-	-	-	-	-	-	-	-	-	-	WEIGHT OF ASSY NO. [g]	

DIESE ZEICHNUNG IST EIN KONTROLLIERTES DOKUMENT. BEMASSUNGEN UND TOLERANZEN GEMAESS GPS (ISO STANDARDS).

THIS DRAWING IS A CONTROLLED DOCUMENT. DIMENSIONING AND TOLERANCING PER GPS (ISO STANDARDS).

DIMENSIONS: MASSENHEITEN: mm	TOLERANCES UNLESS OTHERWISE SPECIFIED: ALL DIMENSIONS
0 PLC ±	1 PLC ±
2 PLC ±	3 PLC ±
4 PLC ±	FINISH/BOEFACHE/FARBE

1- -0 AS SHOWN wie dargestellt

TE Connectivity

3 POS. HVA, 280 PIGTAIL. 2x2.5. HYB ASSY

SIZE: A1 CAGE CODE: 00779 DRAWING NO: 2177624

RESTRICTED TO NEW PUR

CUSTOMER DRAWING /KUNDENZEICHNUNG SCALE: 2:1 SHEET 1 OF 1 REV: C1