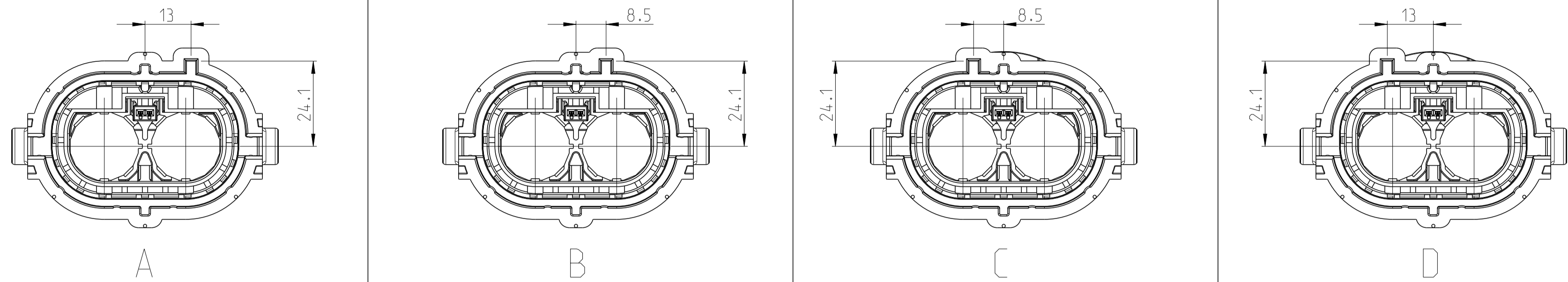


CODINGS - 1:1

THE DRAWING SHOWS THE 2-DIMENSIONAL REFERENCE COMPONENT CONDITION OF THE ASSEMBLY TO IDENTIFY AND SPECIFY THE NECESSARY DIMENSIONS ONLY. THE DELIVERED PARTS MAY DEVIATE FROM THE DRAWING REGARDING THE ORIENTATION AND POSITION OF EACH COMPONENT (e.g. SLACK CABLE), SO FAR THE FUNCTIONALITY IS NOT CONCERNED.

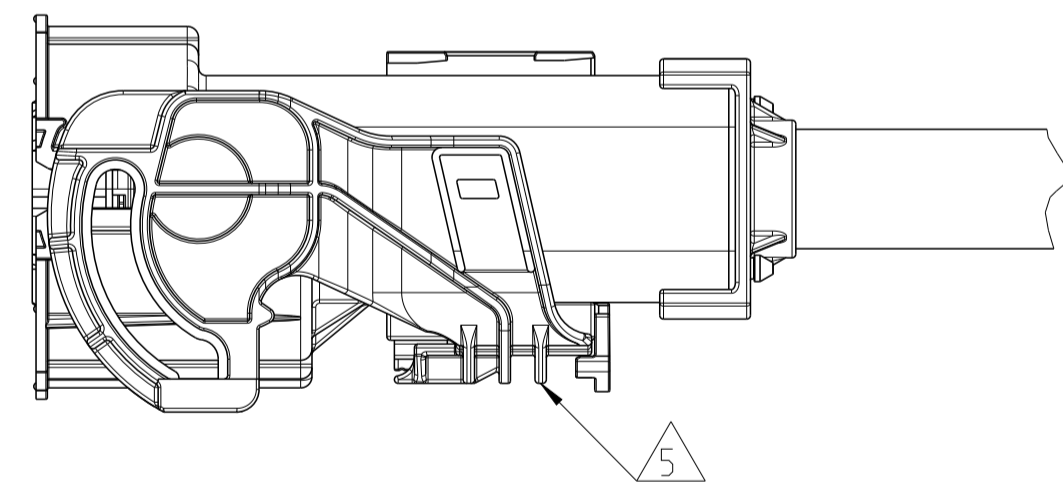
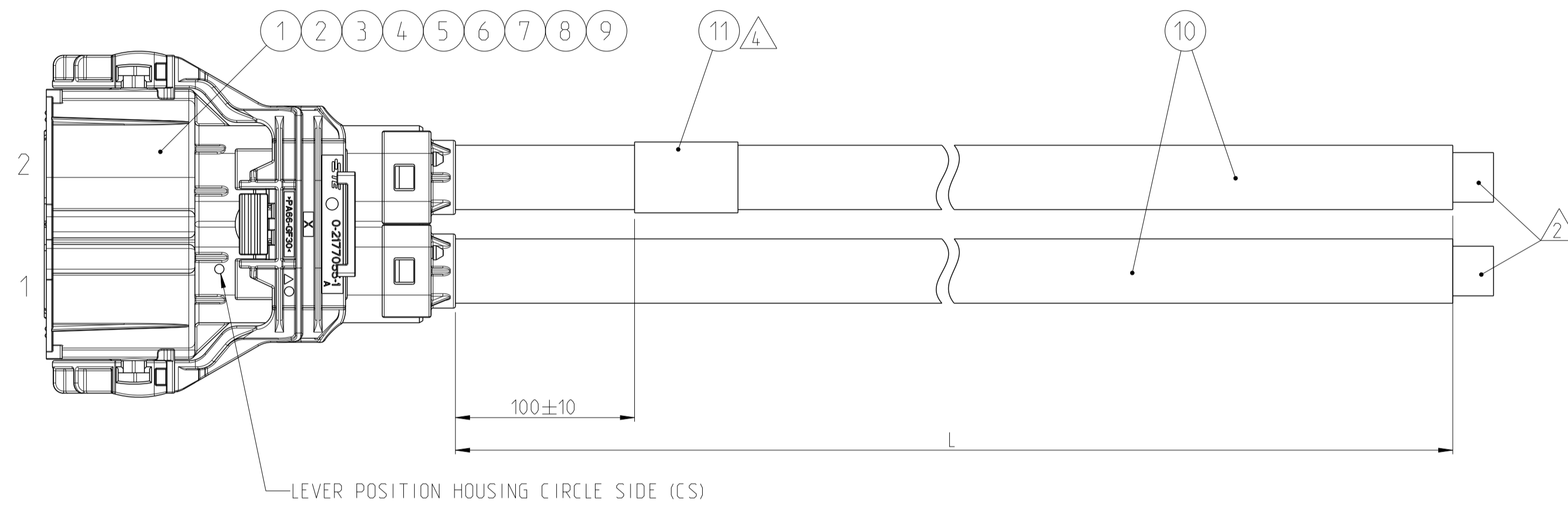
DIE ZEICHNUNG ZEIGT DEN 2-DIMENSIONAL IDEALZUSTAND DES ZUSAMMENBAUTEILS BEZÜGLICH DER KOMPONENTEN ZUR IDENTIFIKATION UND SPEZIFIKATION DER NOTWENDIGEN DIMENSIONEN. HINSICHTLICH DER ORIENTIERUNG UND DER LAGE DER KOMPONENTEN (Z.B. BIEGESCHLAPPE KABEL) KÖNNEN DIE GELIEFERTEN TEILE VON DER ZEICHNUNG ABWEICHEN, SOFERN DIE FUNKTIONALITÄT NICHT BEEINTRÄCHTIGT IST.

REVISIONS				
REV.	DATE	BY	CHKD.	DESCRIPTION
C4	15OCT2018	DS	JJ	NOTES UPDATED
D	06MAR2019	DS	JJ	BOM SUBCOMPONENT CHANGED



NOTES

- 1 PACKAGING:
HOUSING WRAPPED IN FOAM AND FIXED WITH RUBBER BAND.
CABLE ASSEMBLY PROTECTED BY PAPER CUSHIONS INSIDE OF STANDARD BOX (ACCORDING TE SPEC. 107-18032).
DAMAGED TO BE AVOIDED.
- ⚠ ELECTRICAL TEST ACCORDING TE SPECIFICATION 108-18857.
USE CURRENT REVISION ALWAYS.
MIN. 10 mm STRIPPING OF OUTER JACKET AND BRAID FOR ELECTRICAL TEST PURPOSE.
- ⚠ PRODUCT SPECIFICATION: 108-94297, 108-94255
APPLICATION SPECIFICATION: 114-94130, 114-94125
- ⚠ MANUFACTURING CODE:
TE PART NO., CURRENT REV. LEVEL AND DATE CODE (DD.MM.YY),
TO BE PRINTED ON LABEL (ITEM 11).
LABEL TO BE APPLIED TO THE CABLE AFTER SUCCESSFUL ELECTRICAL TEST.
- ⚠ LEVER POSITION: CLOSED ON DELIVERY



⚠ LABEL LEGEND:

TE PN: X-2286937-Y Rev. CURRENT REV.
 DD/MM/YY DATE CODE
 2.7 kV DC TEST PASSED

TE PART NO.	REV.	LENGTH L [mm]	TOL. [mm]	CODING	LEVER POSITION
1-2286937-0	D	500	+30	A	CS
1-2286937-1	D	1000	+30		
1-2286937-2	D	2000	+35		
1-2286937-3	D	3000	+40		
1-2286937-4	D	4000	+50		
1-2286937-5	D	5000	+60		
1-2286937-6	B	10000	+90	B	CS
2-2286937-0	D	500	+30		
2-2286937-1	D	1000	+30		
2-2286937-2	D	2000	+35		
2-2286937-3	D	3000	+40		
2-2286937-4	D	4000	+50		
2-2286937-5	D	5000	+60		
2-2286937-6	B	10000	+90	C	CS
3-2286937-0	B	500	+30		
3-2286937-1	B	1000	+30		
3-2286937-2	B	2000	+35		
3-2286937-3	B	3000	+40		
3-2286937-4	B	4000	+50		
3-2286937-5	B	5000	+60	D	CS
4-2286937-0	B	500	+30		
4-2286937-1	B	1000	+30		
4-2286937-2	B	2000	+35		
4-2286937-3	B	3000	+40		
4-2286937-4	B	4000	+50		
4-2286937-5	B	5000	+60		

QTY	QTY	QTY	QTY	DESCRIPTION	ITEM NO.
4-x	3-x	2-x	1-x		
1	1	1	1	LABEL, HELL. TYP 323, 25.4 x 95.25	11
see table	see table	see table	see table	1 POS. POWER CABLE, 50 SQMM	10
2	2	2	2	SHIELDING SLEEVE, 180 DEG	9
2	2	2	2	INSULATION INSERT, 180 DEG	8
2	2	2	2	8 MM HV. CONTACT, 50 SQMM	7
2	2	2	2	PROTEC. COVER 8 MM HV, 90 DEG, 50 SQMM	6
2	2	2	2	SINGLE WIRE SEAL, 8 MM HV, 90 DEG, 50 SQMM	5
2	2	2	2	SHIELDING CRIMP FERRULE, 180 DEG OUTER	4
2	2	2	2	PROTECTION CAP, 180 DEG	3
2	2	2	2	SHIELD CRIMP FERRULE, 180 DEG INNER	2
1	-	-	-	2 POS, 8 MM HV, REC HSG, 180 DEG, ASSY, SEALED, COD D LEVER POSITION: CIRCLE SIDE (CS)	1
-	1	-	-	2 POS, 8 MM HV, REC HSG, 180 DEG, ASSY, SEALED, COD C LEVER POSITION: CIRCLE SIDE (CS)	
-	-	1	-	2 POS, 8 MM HV, REC HSG, 180 DEG, ASSY, SEALED, COD B LEVER POSITION: CIRCLE SIDE (CS)	
-	-	-	1	2 POS, 8 MM HV, REC HSG, 180 DEG, ASSY, SEALED, COD A LEVER POSITION: CIRCLE SIDE (CS)	

TOLERANCING EN ISO 8015
TOLERIERUNG EN ISO 8015

DIESE ZEICHNUNG IST EIN KONTROLLIERTES DOKUMENT.
BEMASSUNGEN UND TOLERANZEN GEMAESS GPS (ISO STANDARDS).

THIS DRAWING IS A CONTROLLED DOCUMENT.
DIMENSIONING AND TOLERANCING PER GPS (ISO STANDARDS).

DIMENSIONS: MASSENMESSEN (MM)

TOLERANCES UNLESS OTHERWISE SPECIFIED: ALL DIMENSIONS

0 PLC	±
1 PLC	±
2 PLC	±
3 PLC	±
4 PLC	±

FINISH/OBERFLÄCHE/FINISH

WEIGHT GEWICHT

CUSTOMER DRAWING

DWN: D. Snajder 07APR2015
CHK: J. Jancek 07APR2015
APVD: D. Hort 07APR2015

NAME: 2 POS. HVP800, 180, 50 SQMM. CABLE ASSY

SIZE: A1 CAGE CODE: - DRAWING NO: C=2286937

RESTRICTED TO NUR FÜR

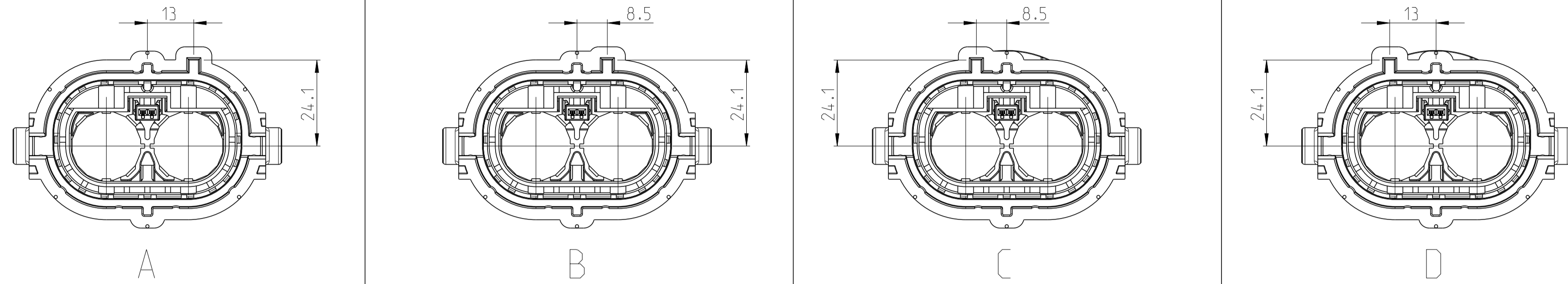
SCALE: 1:1 SHEET: 1 OF 2 REV: D

CODINGS - 1:1

THE DRAWING SHOWS THE 2-DIMENSIONAL REFERENCE COMPONENT CONDITION OF THE ASSEMBLY TO IDENTIFY AND SPECIFY THE NECESSARY DIMENSIONS ONLY. THE DELIVERED PARTS MAY DEVIATE FROM THE DRAWING REGARDING THE ORIENTATION AND POSITION OF EACH COMPONENT (e.g. SLACK CABLE), SO FAR THE FUNCTIONALITY IS NOT CONCERNED.

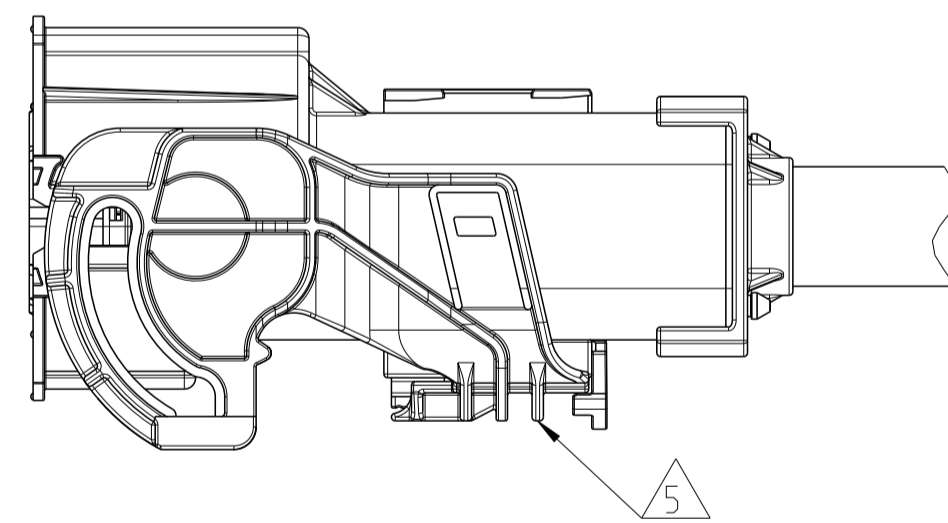
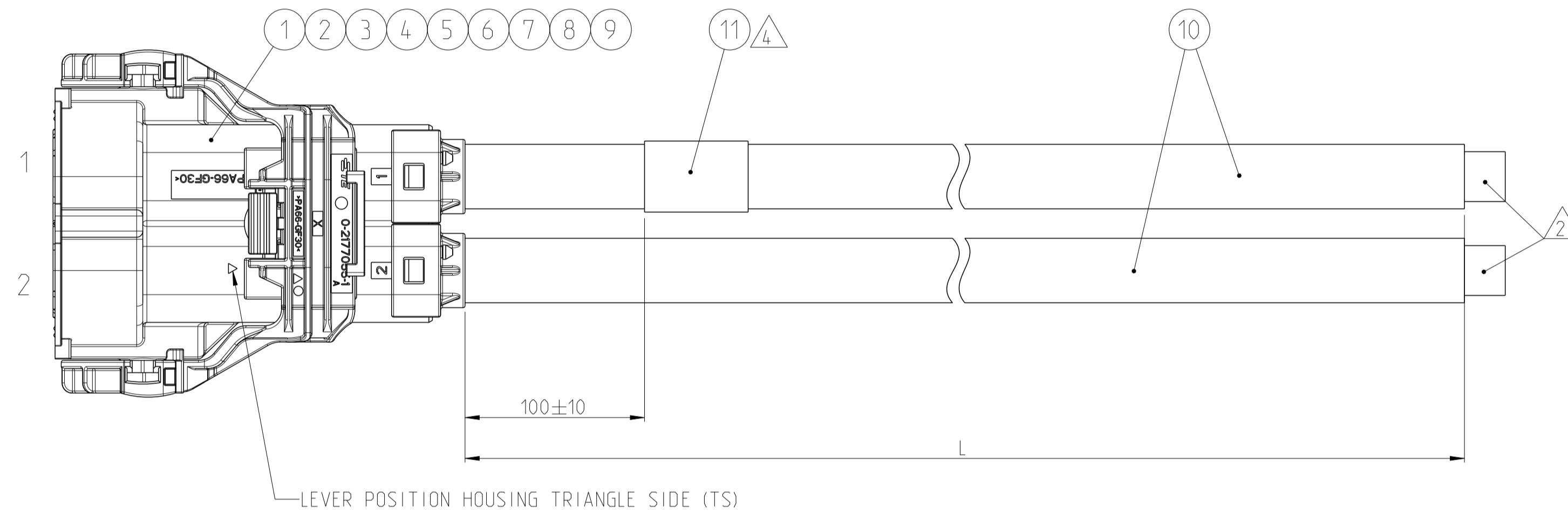
DIE ZEICHNUNG ZEIGT DEN 2-DIMENSIONALEN IDEALZUSTAND DES ZUSAMMENBAUTEILS BEZÜGLICH DER KOMPONENTEN ZUR IDENTIFIKATION UND SPEZIFIKATION DER NOTWENDIGEN DIMENSIONEN. HINSICHTLICH DER ORIENTIERUNG UND DER LAGE DER KOMPONENTEN (Z.B. BIEGESCHLAPPE KABEL) KÖNNEN DIE DELIEFERTEN TEILE VON DER ZEICHNUNG ABWEICHEN, SOFERN DIE FUNKTIONALITÄT NICHT BEEINTRÄCHTIGT IST.

REVISIONS				
NO.	DATE	DESCRIPTION	BY	APPV
-	-	SEE SHEET 1	-	-



NOTES

- 1 PACKAGING:
HOUSING WRAPPED IN FOAM AND FIXED WITH RUBBER BAND.
CABLE ASSEMBLY PROTECTED BY PAPER CUSHIONS INSIDE OF STANDARD BOX (ACCORDING TE SPEC. 107-18032).
DAMAGED TO BE AVOIDED.
- ⚠ ELECTRICAL TEST ACCORDING TE SPECIFICATION 108-18857.
USE CURRENT REVISION ALWAYS.
MIN. 10 mm STRIPPING OF OUTER JACKET AND BRAID FOR ELECTRICAL TEST PURPOSE.
- ⚠ PRODUCT SPECIFICATION: 108-94297, 108-94255
APPLICATION SPECIFICATION: 114-94130, 114-94125
- ⚠ MANUFACTURING CODE:
TE PART NO., CURRENT REV. LEVEL AND DATE CODE (DD.MM.YY).
TO BE PRINTED ON LABEL (ITEM 11).
LABEL TO BE APPLIED TO THE CABLE AFTER SUCCESSFUL ELECTRICAL TEST.
- ⚠ LEVER POSITION: CLOSED ON DELIVERY



⚠ LABEL LEGEND:

CURRENT REV.
 TE PN: X-2286937-Y Rev. DATE CODE
 DD/MM/YY
 2.7 kV DC TEST PASSED

TE PART NO.	REV.	LENGTH L [mm]	TOL. [mm]	CODING	LEVER POSITION
5-2286937-0	D	500	+30	A	TS
5-2286937-1	D	1000	+30		
5-2286937-2	D	2000	+35		
5-2286937-3	D	3000	+40		
5-2286937-4	D	4000	+50		
5-2286937-5	D	5000	+60		
6-2286937-0	D	500	+30	B	TS
6-2286937-1	D	1000	+30		
6-2286937-2	D	2000	+35		
6-2286937-3	D	3000	+40		
6-2286937-4	D	4000	+50		
6-2286937-5	D	5000	+60		
7-2286937-0	B	500	+30	C	TS
7-2286937-1	B	1000	+30		
7-2286937-2	B	2000	+35		
7-2286937-3	B	3000	+40		
7-2286937-4	B	4000	+50		
7-2286937-5	B	5000	+60		
8-2286937-0	B	500	+30	D	TS
8-2286937-1	B	1000	+30		
8-2286937-2	B	2000	+35		
8-2286937-3	B	3000	+40		
8-2286937-4	B	4000	+50		
8-2286937-5	B	5000	+60		

QTY	QTY	QTY	QTY	DESCRIPTION	ITEM NO.
8-x	7-x	6-x	5-x		
1	1	1	1	LABEL, HELL. TYP 323, 25.4 x 95.25	11
see table	see table	see table	see table	1 POS. POWER CABLE, 50 SQMM	10
2	2	2	2	SHIELDING SLEEVE, 180 DEG	9
2	2	2	2	INSULATION INSERT, 180 DEG	8
2	2	2	2	8 MM HV. CONTACT, 50 SQMM	7
2	2	2	2	PROTEC. COVER 8 MM HV, 90 DEG, 50 SQMM	6
2	2	2	2	SINGLE WIRE SEAL, 8 MM HV, 90 DEG, 50 SQMM	5
2	2	2	2	SHIELDING CRIMP FERRULE, 180 DEG	4
2	2	2	2	PROTECTION CAP, 180 DEG	3
2	2	2	2	SHIELD CRIMP FERRULE, 180 DEG	2
1	-	-	-	2 POS, 8 MM HV, REC HSG, 180 DEG, ASSY, SEALED, COD D LEVER POSITION: TRIANGLE SIDE (TS)	1
-	1	-	-	2 POS, 8 MM HV, REC HSG, 180 DEG, ASSY, SEALED, COD C LEVER POSITION: TRIANGLE SIDE (TS)	
-	-	1	-	2 POS, 8 MM HV, REC HSG, 180 DEG, ASSY, SEALED, COD B LEVER POSITION: TRIANGLE SIDE (TS)	
-	-	-	1	2 POS, 8 MM HV, REC HSG, 180 DEG, ASSY, SEALED, COD A LEVER POSITION: TRIANGLE SIDE (TS)	

TOLERANCING EN ISO 8015
TOLERIERUNG EN ISO 8015

DIESE ZEICHNUNG IST EIN KONTROLLIERTES DOKUMENT.
BEMASSUNGEN UND TOLERANZEN GEMAESS GPS (ISO STANDARDS).

THIS DRAWING IS A CONTROLLED DOCUMENT.
DIMENSIONING AND TOLERANCING PER GPS (ISO STANDARDS).

DIMENSIONS: MASSENHEITEN: mm

TOLERANCES UNLESS OTHERWISE SPECIFIED: ALLE TOLERANZEN

0 PLC	±
1 PLC	±
2 PLC	±
3 PLC	±
4 PLC	±

ANGLES/WINKEL: °

FINISH/OBERFLÄCHE/FARBE

MATERIAL: -

WEIGHT/GEWICHT: -

CUSTOMER DRAWING

DWN: D. Snajder 07APR2015

CHK: J. Jancek 07APR2015

APVD: D. Hort 07APR2015

NAME: 2 POS. HVP800, 180, 50 SQMM. CABLE ASSY

SIZE: A1

CAGE CODE: -

DRAWING NO: C=2286937

RESTRICTED TO: NUR FÜR

SCALE: 1:1

SHEET: 2 OF 2

REV: D